

Installation manual 2N[®] IP Force

2N

Content:

- 1. Product Overview
 - 1.1 Components and Associated Products
 - 1.2 Terms and Symbols
- 2. Description and Installation
 - 2.1 Before You Start
 - 2.2 Mechanical Installation
 - 2.3 Electric Installation
 - 2.3.1 Overvoltage Protection
 - 2.4 Extending Module Connection
 - 2.5 Button Tags
- 3. Function and Use
 - 3.1 Configuration
 - 3.2 Control
 - 3.3 Maintenance
 - 3.4 Downloads
- 4. Technical Parameters
 - 4.1 General drawings
- 5. Supplementary Information
 - 5.1 Troubleshooting
 - 5.2 Directives, Laws and Regulations
 - 5.3 Other Countries' Legislation
 - 5.4 General Instructions and Cautions

1. Product Overview

Here is what you can find in this section:

- [1.1 Components and Associated Products](#)
- [1.2 Terms and Symbols](#)

Basic Features

2N® IP Force is a highly resistant and reliable IP door access intercom provided with a lot of useful above-standard functions. Supporting the SIP standard and being compatible with the leading IP PBX and telephone suppliers, **2N® IP Force** can make use of all VoIP services. **2N® IP Force** can work as a standard or emergency door access intercom for buildings, entrances to premises or garages, manufacturing halls, highways and so on.

2N® IP Force is equipped with two very sensitive microphones and an up to 10W loudspeaker. Thanks to an integrated acoustic echo cancelling (AEC) system, the product provides mutual audibility even of persons talking at the same time under normal conditions.

2N® IP Force can be equipped with a colour wide-angle camera, which displays the calling person on the called party's video telephone or PC monitor.

2N® IP Force can be provided with 1, 2 or 4 pre-programmed buttons. You can set up to three telephone numbers and time profiles for each of the buttons to increase the accessibility of the called party.

2N® IP Force can be equipped with a numerical keypad to be used as a code lock for lock switch activating or telephone/subscriber number dialling.

2N® IP Force is equipped with an electric lock switch. You can control the switch using a numerical keypad or, during a call, using any telephone set. An additional switch module can be installed if necessary. A wide range of settings allow for a variety of applications.

2N® IP Force can also be provided with RFID card reader modules.

2N® IP Force is very easy to install. All you have to do is connect the system into your LAN via a network cable and feed it from a 12 V power supply or your PoE supporting LAN.

Configure **2N® IP Force** using your PC via any web browser. Use the

2N® Access Commander to manage extensive **2N® IP Force** systems easily and quickly.

Advantages of Use

- Uncompromising Antivandal design
- High coverage level – up to class IP69K
- Variable mounting options (brick/plasterboard flush mounting, surface mounting)
- Sensitive microphone and powerful loudspeaker


- Bidirectional communication – acoustic echo cancelling
- Integrated colour camera with wide-angle lens
- Optional dial buttons including name tags and backlight
- Optional numerical keypad with backlight
- Integrated electronic lock switches with wide setting options
- Optional integrated RFID card reader module
- LAN (PoE) or external 12 V power supply
- Configuration via web interface or dedicated PC application
- SIP 2.0 support
- Up to 1999 telephone directory positions
- Up to 20 user time profiles
- Video codecs (H.263, H.263+, H.264, MPEG-4, JPEG)
- Audio codecs (G.711, G.729, G.722, L16/16kHz)
- HTTP server for configuration
- SNTP client for time synchronisation with server
- RTSP server for video streaming
- SMTP client for e-mail sending
- TFTP client for automatic configuration and firmware update

1.1 Components and Associated Products

2N IP Force Components and Associated Products:



Basic Units

One-Button	
<p>2N Part No. 9151101W</p> <p>Axis Part No. 01336-001</p> 	<ul style="list-style-type: none"> • 1 button • control of two electric locks • additional switch connection option • 10 W loudspeaker, IP69K
<p>2N Part No. 9151101CHW</p> <p>Axis Part No. 01337-001</p> 	<ul style="list-style-type: none"> • IP69K • 1 button • HD camera • control of two electric locks • additional switch connection option • 10 W loudspeaker • night vision

One-Button

**2N Part
No. 9151101RPW**
**Axis Part No.
01335-001**



- 1 button, pictograms,
- possibility of connecting card reader
- control of two electric locks
- additional switch connection option
- 10 W loudspeaker, IP69K

**2N Part
No. 9151101CHRPW**
**Axis Part No.
01334-001**



- 1 button, pictograms,
- with HD camera,
- possibility of connecting card reader
- control of two electric locks
- additional switch connection option
- 10 W loudspeaker, IP69K
- night vision

One-Button

**2N Part
No. 9151101KW**

**Axis Part No.
01338-001**



- 10 W loudspeaker, IP69K
- 1 button
- keypad
- control of two electric locks
- additional switch connection option

**2N Part
No. 9151101CHKW**

**Axis Part No.
01339-001**



- 10 W loudspeaker, IP69K
- 1 button
- keypad
- HD camera
- control of two electric locks
- additional switch connection option
- night vision

Two-Button

**2N Part
No. 9151102CHRW**

**Axis Part No.
01340-001**



- 2 buttons
- HD camera
- possibility of connecting card reader
- control of two electric locks
- additional switch connection option
- 10 W loudspeaker, IP69K
- night vision

**2N Part
No. 9151102RW**

**Axis Part No.
01341-001**





- 2 buttons
- card reader connection option
- control of two electric locks
- additional switch connection option
- 10 W loudspeaker, IP69K

Two-Button

**2N Part No. 9151102-
X1**





- 10W loudspeaker, IP69K
- 2 buttons with INFO and SOS labels
- anti-vandal buttons made of stainless steel
- Note: customization available per request

Four-Button	
<p>2N Part No. 9151104W</p> <p>Axis Part No. 01342-001</p> 	<ul style="list-style-type: none"> • 10 W loudspeaker, IP69K • 4 buttons • control of two electric locks • additional switch connection option
<p>2N Part No. 9151104CHW</p> <p>Axis Part No. 01343-001</p> 	<ul style="list-style-type: none"> • 10 W loudspeaker, IP69K • 4 buttons • HD camera • control of two electric locks • additional switch connection option • night vision

2N IP Force is designed for outdoor applications and requires no additional roof. W-including Part Nos. are intended for WAP pressure cleaning and extremely noisy environments (such as highways, etc.).

2N IP Force units can be flush or wall mounted without requiring any additional accessories. Use the appropriate mounting box (see below) for plasterboard and hollow brick flush mounting.

Flush Mounting Box

	<ul style="list-style-type: none">• frame• included with basic unit
<p>2N Part No. 9151001</p> <p>Axis Part No. 01348-001</p> 	<ul style="list-style-type: none">• Brick flush mounting box• Dimension: 132 x 223 x 83 mm

2N Part No. 9151002

**Axis Part No.
01349-001**



- Plasterboard flush mounting box
- Dimension: 237 x 129 x 70 mm
- Hole: 237 x 118 mm

Mounting Accessories

2N Part No. 9151005

**Axis Part No.
01351-001**



- Gooseneck stand
- Height 120 cm (47 inch) to the intercom top

2N Part No. 9151007

**Axis Part No.
01550-001**



- Gooseneck stand double
- Height: 115 cm (45") and 203 cm (80")

2N Part No. 9151006

**Axis Part No.
01352-001**



- Installation adapter (US only)

2N Part No. 9151018

**Axis Part No.
01345-001**



- Security screws
- An alternative safer than regular screws
- Torx with a pin. Supplied with the appropriate handle.

2N Internal Units and Accessories

Part Numbers:

2N Part No. 91378375

Axis Part No. 01668-001

2N Part No. 91378376

Axis Part No. 01670-001



- **2N Indoor Touch 2.0** – black
- WiFi version (latter Part No.)
- **2N Indoor Touch 2.0**, an elegant internal touch panel, is suitable for all **2N IP** intercoms. On the panel's display not only can you find out who is at the door, but you can also start conversation with the visitor, open the lock or turn on the light in the entrance hall.

2N Part No. 91378382
Axis Part No. 01425-001





- **2N Indoor Touch** desk stand black

Part Numbers:
2N Part No. 91378375WH
Axis Part No. 01669-001

2N Part No. 91378376WH
Axis Part No. 01671-001



- **2N Indoor Touch 2.0** – white
- WiFi version (latter Part No.)
- **2N Indoor Touch 2.0**, an elegant internal touch panel, is suitable for all **2N IP** intercoms. On the panel's display not only can you find out who is at the door, but you can also start conversation with the visitor, open the lock or turn on the light in the entrance hall.

<p>2N Part No. 91378382W Axis Part No. 01426-001</p> 	<ul style="list-style-type: none"> • 2N Indoor Touch desk stand white
<p>2N Part No. 1120101W Axis Part No. 02518-001</p> 	<ul style="list-style-type: none"> • 2N IP Handset • answering unit • white color
<p>2N Part No. 1120101B Axis Part No. 02519-001</p>	<ul style="list-style-type: none"> • 2N IP Handset • answering unit • black color

IP Telephones

2N Part No. 1120102
Axis Part No. 02660-001



- **2N IP Phone D7A**
- simple operation
- HD quality video calls
- A display-equipped extender EXP50 (Part No. **91378363**) can be added to the phone delivery to make up to 60 speed dialings.

2N Part No. 1120111EU
Axis Part No. 02544-001



- **Grandstream GXV3350 IP video phone**
- Android 7.0 OS
- 5” touch display control
- HD quality video calls
- WiFi and Bluetooth support
- HDMI output and pan tilt zoom camera
- Easy integration with intercoms or PBXs via SIP

Electric Locks






- These products have been removed from sale.




<p>Part No. 11202101</p> 	<ul style="list-style-type: none"> • Mini electronic doorstrike series 5 • electric opener designed for door frame installation • intended for such narrow profiles as aluminum, wood or PVC in particular • short sheet metal front cover version (130 mm) • 16 mm width
<p>Part No. 11202101-L</p> 	<ul style="list-style-type: none"> • Mini electronic doorstrike series 5 – long • electric opener designed for door frame installation • intended for such narrow profiles as aluminum, wood or PVC in particular • long sheet metal front cover version (250 mm) • 16 mm width
<p>Part No. 11202102</p> 	<ul style="list-style-type: none"> • Mini electronic doorstrike series 5 – with momentum pin • electric opener designed for door frame installation • intended for such narrow profiles as aluminum, wood or PVC in particular • short sheet metal front cover version (130 mm) • 16 mm width




<p>Part No. 11202102-L</p> 	<ul style="list-style-type: none"> • Mini electronic doorstrike series 5 – with momentum pin, long • electric opener designed for door frame installation • intended for such narrow profiles as aluminum, wood or PVC in particular • long sheet metal front cover version (250 mm) • 16 mm width
<p>Part No. 11202103</p> 	<ul style="list-style-type: none"> • Mini electronic doorstrike series 5 – with mechanical blocking • electric opener designed for door frame installation • intended for such narrow profiles as aluminum, wood or PVC in particular • short sheet metal front cover version (130 mm) • 16 mm width
<p>Part No. 11202103-L</p> 	<ul style="list-style-type: none"> • Mini electronic doorstrike series 5 – with mechanical blocking, long • electric opener designed for door frame installation • intended for such narrow profiles as aluminum, wood or PVC in particular • long sheet metal front cover version (250 mm) • 16 mm width



<p>Part No. 11202104</p> 	<ul style="list-style-type: none"> • Mini electronic doorstrike series 5 – door signaling • electric opener designed for door frame installation • intended for such narrow profiles as aluminum, wood or PVC in particular • including a door state monitoring micro switch: open/closed • short sheet metal front cover version (130 mm) • 16 mm width
<p>Part No. 11202104-L</p> 	<ul style="list-style-type: none"> • Mini electronic doorstrike series 5 – door signaling, long • electric opener designed for door frame installation • intended for such narrow profiles as aluminum, wood or PVC in particular • including a door state monitoring micro switch: open/closed • long sheet metal front cover version (250 mm) • 16 mm width
<p>Part No. 11202105</p> 	<ul style="list-style-type: none"> • Mini electronic doorstrike series 5 – fail-safe • electric opener designed for door frame installation • intended for such narrow profiles as aluminum, wood or PVC in particular • under voltage: opener secured, blocked • at voltage interruption: opener unblocked, door can be opened • short sheet metal front cover version (130 mm) • 16 mm width

<p>Part No. 11202105-L</p> 	<ul style="list-style-type: none"> • Mini electronic doorstrike series 5 – fail-safe, long • electric opener designed for door frame installation • intended for such narrow profiles as aluminum, wood or PVC in particular • under voltage: opener secured, blocked • at voltage interruption: opener unblocked, door can be opened • long sheet metal front cover version (250 mm) • 16 mm width
<p>Part No. 11202106</p> 	<ul style="list-style-type: none"> • Mini electronic doorstrike series 5 – fail-safe and door signaling • electric opener designed for door frame installation • intended for such narrow profiles as aluminum, wood or PVC in particular • under voltage: opener secured, blocked • at voltage interruption: opener unblocked, door can be opened • short sheet metal front cover version (130 mm) • 16 mm width
<p>Part No. 11202106-L</p> 	<ul style="list-style-type: none"> • Mini electronic doorstrike series 5 – fail-safe and door signaling, long • electric opener designed for door frame installation • intended for such narrow profiles as aluminum, wood or PVC in particular • under voltage: opener secured, blocked • at voltage interruption: opener unblocked, door can be opened • long sheet metal front cover version (250 mm) • 16 mm width

<p>Part No. 11202201</p> 	<ul style="list-style-type: none"> • Electromechanical lock SAM 7255 • 72/55 self-locking lock with panic function • A key is necessary for door opening from the outside (or an electric pulse from a connected 2N IP intercom / reader). • convenient solution for emergency exits
<p>Part No. 11202201-M</p> 	<ul style="list-style-type: none"> • Electromechanical lock SAM 7255 with monitoring • 72/55 self-locking lock with panic function • A key is necessary for door opening from the outside (or an electric pulse from a connected 2N IP intercom / reader). • convenient solution for emergency exits
<p>Part No. 11202202</p> 	<ul style="list-style-type: none"> • Electromechanical lock SAM 9235 • 92/35 self-locking lock with panic function • A key is necessary for door opening from the outside (or an electric pulse from a connected 2N IP intercom / reader). • convenient solution for emergency exits

<p>Part No. 11202202-M</p> 	<ul style="list-style-type: none"> • Electromechanical lock SAM 9235 with monitoring • 92/35 self-locking lock with panic function • A key is necessary for door opening from the outside (or an electric pulse from a connected 2N IP intercom / reader). • convenient solution for emergency exits
<p>Part No. 11202301</p> 	<ul style="list-style-type: none"> • Cable protector FX290 • Provides secure passage and protection of the supply cable between the door frame and the door leaf. • 290 mm length
<p>Part No. 11202302</p> 	<ul style="list-style-type: none"> • Cable protector FX510 • Provides secure passage and protection of the supply cable between the door frame and the door leaf. • 510 mm length

<p>Part No. 11202303</p> 	<ul style="list-style-type: none"> • Cable protector FX300G • Provides secure passage and protection of the supply cable between the door frame and the door leaf. • 440 mm length
<p>Part No. 11202304</p> 	<ul style="list-style-type: none"> • Cable protector FX500G • Provides secure passage and protection of the supply cable between the door frame and the door leaf. • 640 mm length
<p>Part No. 11202203</p>	<ul style="list-style-type: none"> • Supply cable with 14-core connector • 6000 mm length • Conductor cross section: 14 × 0.22 mm • Terminated with a connector on one side • Designed for 11202201-M and 11202202-M locks
<p>Part No. 11202107</p> 	<ul style="list-style-type: none"> • Maglock MEX100 • used as a door holding supplement, not replacing the lock • consists of two parts: supplied part and counterpart • under voltage: door cannot be opened • at voltage interruption: magnets get disconnected, door opens

<p>Part No. 11202501</p>  A vertical, rectangular magnetic handle with a black lower section and a silver upper section.	<ul style="list-style-type: none">• Magnetic handle P300RP• fully replaces a mortise lock and handle• under voltage: door cannot be opened• at voltage interruption: magnets get disconnected, door opens• suitable for wooden, metal and glass doors
<p>Part No. 11202401</p>  A long, thin, white door operator with a black handle and a mounting bracket.	<ul style="list-style-type: none">• ED100• low energy simple door operator• contactless operation• can be interconnected with a motion sensor and electronic access control system• applicable for right / left doors• in / out opening versions

✓ **Tip**

- FAQ: [Electric locks – Difference between locks in 2N IP intercom accesories](#)

Power Supply

Part Numbers:

2N Part No. 91378100E

2N Part No. 91378100US

2N Axis Part No. 01403-001



- PoE injector – with EU cable
- PoE injector – with US cable
- For intercom power supply via an Ethernet cable where no PoE switch is available.

2N Part No. 91341481E



- Stabilised 12 V / 2 A power supply needs to be used where no PoE is available.

2N Part No. 932928



- 12 V transformer
- For 230 V mains voltage.
- For external power supply of the lock with 12 V AC voltage.

Additional Modules

2N Part No. 9151010
Axis Part No. 01350-001



- Additional switch
- Including:
 - relay switch – 30 V / 1 A NO/NC contact
 - active 12 V / 600 mA output
 - digital input
 - tamper switch for **2N IP Force** front panel opening signalling

2N Part No. 9151011
Axis Part No. 01344-001



- Internal RFID card reader 125 kHz for installation in **2N IP Force** intercoms. Allows the use of EM4xxx cards. Another two switches, two logical inputs and a Wiegand interface are available. It is compatible with the **2N IP Force** two-button and pictogram models.
- Includes a tamper switch to signal when the front panel is opened.

2N Part No. 9151031

Axis Part No. 02522-001



- Internal RFID card reader 13.56 MHz NFC/HCE Ready for **2N IP Force** mounting. Two switches, two logical inputs and a Wiegand interface are available. It is compatible with the **2N IP Force** two-button and pictogram models.
- Includes a tamper switch to signal when the front panel is opened.
- Allows the use 13.56 MHz cards of these standards (only card serial number is read):
 - ISO14443A (MIFARE DESFire)
 - PicoPass (HID iClass)
 - FeliCa
 - ST SR(IX)
 - 2N Mobile Key

2N Part No. 9151031S
Axis Part No. 01730-001






- Internal secured RFID card reader 13.56 MHz NFC/HCE Ready for **2N IP Force** mounting. Two switches, two logical inputs and a Wiegand interface are available. It is compatible with the **2N IP Force** two-button and pictogram models.
- Includes a tamper switch to signal when the front panel is opened.
- Allows the use 13.56 MHz cards of these standards (only card serial number is read):
 - ISO14443A (MIFARE DESFire)
 - PicoPass (HID iClass)
 - FeliCa
 - ST SR(IX)
 - 2N Mobile Key
 - HID SE (Seos, iClass SE, MIFARE SE)

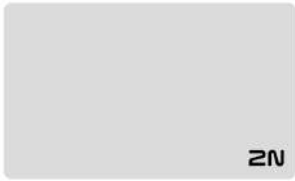

2N Part No. 9151021
Axis Part No. 02338-001



- **2N IP Force Induction Loop**
- An induction loop transmits sound wirelessly from the **2N IP Force** to the earphones of people with hearing disabilities and enables them to hear and perceive sounds better.

<p>2N Part No. 9159010 Axis Part No. 01386-001</p> 	<ul style="list-style-type: none"> • 2N Security Relay • A handy add-on that significantly enhances door entry security as it prevents tampering with the intercom and forced opening of the lock. To be installed between intercom and lock, powered by the intercom.
<p>2N Part No. 9159011 Axis Part No. 01387-001</p> 	<ul style="list-style-type: none"> • Wiegand Isolator • The 2N IP Wiegand Isolator is designed for galvanic isolation of two devices separately power supplied and interconnected via the Wiegand bus. The Wiegand Isolator protects the interconnected devices against communication errors and/or damage.
<p>2N Part No. 9137410E Axis Part No. 01397-001</p> 	<ul style="list-style-type: none"> • External IP Relay – 1 output • Standalone IP device which can be controlled by HTTP commands sent by 2N IP intercom, which can thus control devices on unlimited distance.

<p>2N Part No. 9137411E Axis Part No. 01398-001</p> 	<ul style="list-style-type: none"> • External IP Relay – 4 outputs, PoE • Standalone IP device which can be controlled by HTTP commands sent by 2N IP intercom, which can thus control devices on unlimited distance.
<p>2N Part No. 9134165E Axis Part No. 01395-001</p> 	<ul style="list-style-type: none"> • RFID card, type EM4100, 125 kHz
<p>2N Part No. 9134166E Axis Part No. 01396-001</p> 	<ul style="list-style-type: none"> • RFID fob, type EM4100, 125 kHz

<p>2N Part No. 9134173 Axis Part No. 01384-001</p> 	<ul style="list-style-type: none"> • MIFARE Classic 1k RFID card, 13.56 MHz
<p>Part No. 11202601 Axis Part No. 02787-001</p> 	<ul style="list-style-type: none"> • 2N RFID card Mifare Desfire EV3 4K 13.56MH 10 pcs • 10 pcs per package • MIFARE DESFire EV3 (ISO/IEC14443A) • Suitable for data encryption in 2N PICard Commander
<p>Part No. 11202602 Axis Part No. 02788-001</p> 	<ul style="list-style-type: none"> • 2N RFID fob Mifare Desfire EV3 4K 13.56MHz 10 pcs • 10 pcs per package • MIFARE DESFire EV3 (ISO/IEC14443A) • Suitable for data encryption in 2N PICard Commander

2N Part No. 9159050
Axis Part No. 01391-001



- **2N Induction Loop**
- An induction loop transmits sound wirelessly from the **2N IP intercom** to the earphones of people with hearing disabilities and enables them to hear and perceive sounds better.

2N Part No. 9159052
Axis Part No. 01393-001



- Power supply for **2N Induction Loop**
- External power supply for the induction loop
- Input 230 V AC
- Output 12 V DC

2N Part No. 9134174
Axis Part No. 01385-001



- MIFARE Classic 1k RFID fob, 13.56 MHz

2N Part No. 9159014EU/UK
2N Part No. 9159014US
Axis Part No. 01404-001



- **2N 2Wire**
- (set of 2 adaptors and power source for EU/US/UK)
- The **2N 2Wire** converter allows you to use the existing wiring (2 wires) from your original doorbell or door intercom to connect any IP device. You do not have to configure anything; all you need is a **2N 2Wire** unit at each end of the cable and a power source connected to at least one of these units. The **2N 2Wire** unit then provides PoE power not only to the second converter, but also to all the other connected IP end devices.

2N Part No. 9159013



- Exit button
- (suitable for Internal RFID card reader or Security relay)
- A button for connection to a logic input for opening a door inside a building.

2N Part No. 9159012
Axis Part No. 01388-001



- Magnetic door contact
- (Suitable for Internal RFID card reader)
- Set for installation on a door, enabling the status of door opening to be ascertained. Used when the intercom is used for door protection, to detect when the door is not closed or forcibly opened.

2N Part No. 9159030
Axis Part No. 01389-001



- External RFID card reader, 125 kHz
- Secondary reader for connection to an internal reader. Provides card entry control from both sides of the door. IP68 cover, also suitable for exteriors. Reads EM4xxx cards.

2N Part No. 9159031
Axis Part No. 01390-001



- External 13.56 MHz MIFARE RFID card reader, Wiegand
- Secondary reader for connection to an internal reader. Provides card entry control from both sides of the door. IP68 cover, also suitable for exteriors. Reads MIFARE cards.

2N Part No. 9154004
Axis part No. 01479-001



- Water-proof metal button
- (Suitable for Internal RFID card reader)

2N Part No. 9137420E
Axis Part No. 01399-001



- External RFID card reader for connection to a PC using a USB interface. Suitable for system management and the addition of EM41xx cards via the PC application, **2N Access Commander**.

2N Part No. 9137421E
Axis Part No. 01400-001



- **Ext. RFID Reader 13.56 MHz, 125 kHz + NFC/HCE (USB interface)**
- External RFID card reader for connection to PC using a USB interface. Suitable for system administration and adding 13.56 MHz, 125 kHz cards and Android platform devices supporting NFC/HCE using **2N IP intercom** web interface or the **2N Access Commander** application. Suitable for MIFARE DESFire card upload to the **2N PICard Commander** encryption application. It reads the same types of cards and devices as the card readers in **2N IP intercoms**.
 - 13.56 MHz/ISO/IEC 14443A MIFARE Classic 1k & 4k, MIFARE DESFire EV1, Mini, Plus S&X, Ultralight, Ultralight C
 - 13.56 MHz/ISO/IEC 14443B CEPAS, HID iCLASS (CSN only)
 - 13.56 MHz/JIS X 6319 Felica
 - 125 kHz EM4xxx
 - ISO/IEC 18092 SmartPhone with NFC/HCE support, since Android version 4.3 (**2N Mobile Key** app required)
 - EMarine

2N Part No. 9137424E
Axis part No. 01527-001



- **Ext. secured RFID Reader 13.56 MHz, 125 kHz + NFC/HCE (USB interface)**
- External secured RFID card reader for connection to PC using a USB interface. Suitable for system administration and adding 13.56 MHz, 125 kHz cards and Android platform devices supporting NFC/HCE using **2N IP intercom** web interface or the **2N Access Commander** application. Suitable for MIFARE DESFire card upload to the **2N PICard Commander** encryption application. It reads the same types of cards and devices as the card readers in **2N IP intercoms**.
 - 13.56 MHz/ISO/IEC 14443A MIFARE Classic 1k & 4k, MIFARE DESFire EV1, Mini, Plus S&X, Ultralight, Ultralight C
 - 13.56 MHz/ISO/IEC 14443B CEPAS, HID iCLASS (CSN or PAC ID)
 - 13.56 MHz/JIS X 6319 Felica
 - 125 kHz EM4xxx, HID Prox
 - ISO/IEC 18092 SmartPhone with NFC/HCE support, since Android version 4.3 (**2N Mobile Key** app required)
 - EMarine

2N Part No. 9160501
Axis Part No. 0820-001



- AXIS A9188 Network I/O relay module
- Lift control relay module for up to 8 floors

License

<p>2N Part No. 9137909</p>	<ul style="list-style-type: none"> • Gold • Includes Enhanced Video, Enhanced Integration and Lift Control licenses
<p>2N Part No. 9137910 Axis Part No. 01381-001</p>	<ul style="list-style-type: none"> • InformaCast

✔ **Tip**

- Refer to the Configuration Manual for 2N IP intercoms, Subs. [3.2 Function Licensing](#) for details.

✔ **Tip**

- For more accessories and particular advice please contact your local distributor of 2N products.

✔ **Tip**

- FAQ: [Induction loop – How to connect it with 2N IP intercoms](#)

1.2 Terms and Symbols

The following symbols and pictograms are used in the manual:

Safety

- **Always abide** by this information to prevent persons from injury.

Warning

- **Always abide** by this information to prevent damage to the device.

Caution

- **Important information** for system functionality.

Tip

- **Useful information** for quick and efficient functionality.

Note

- Routines or advice for efficient use of the device.

2. Description and Installation

Here is what you can find in this section:

- [2.1 Before You Start](#)
- [2.2 Mechanical Installation](#)
- [2.3 Electric Installation](#)
- [2.4 Extending Module Connection](#)
- [2.5 Button Tags](#)

2.1 Before You Start

Product Completeness Check

Before you start please check the contents of your **2N® IP Force** delivery:

- **1x 2N® IP Force**
- 1x frame (of the corresponding colour)
- 1x Torx 10 / Torx 20 double-ended wrench
- Bushings (enclosed):
 - 1x big two-hole sealed bushing with nut
 - 1x spare sealing for big bushing for a thick cable, one hole
 - 1x big blank with nut
 - 1x small bushing with nut
 - 1x bushing plug, big size
 - 2x bushing plugs, small size
- 1x Brief Manual
- 1x mounting template
- 1x A5 transparent name plate foil
- 1x spare name tag
- 1x grounding connector with the screw
- 4x (5 x 90) mm screws
- 4x "intelligent" (8 x 50) mm dowels
- 1x Certificate of ownership

2.2 Mechanical Installation

Content

[Common Mounting Principles](#)

[Flush Mounting – Classic Bricks](#)

[Flush Mounting – Thermally Insulated Wall](#)

[Flush Mounting – Plasterboard](#)

[Flush Mounting – Hollow Bricks](#)

Wall Mounting

Use of Cable Bushings

Common Mounting Principles

Note

- The recommended standard installation height is 1350 mm from the ground. The installation height may vary depending on the device use.

Tip

- Select flush mounting where possible to make your product elegant looking, more vandal resistant and more secure.
- You can purchase the flush mounting box in advance and hire an installation professional to make the basic installation work. Moreover, the mounting box helps you align the intercom vertically (with a deviation of up to 2°).

Caution

- Before starting the mechanical installation on a selected place, make sure carefully that the preparations connected with it (drilling, wall cutting) cannot damage the electrical, gas, water and other existing wires and pipes.
- Make sure that the dowel holes have the required diameter. If the diameter is too large, the dowels may get loose. Use some suitable building adhesive to keep the dowels in place.
- Make sure that the hole depth is sufficient too! The dowel length is 50 mm and the screw length is 90 mm.
- Remember that dowels of poor quality may easily get loose and fall out of the wall!
- Stainless steel screws are used for the **2N® IP Force** assembly. Other screws than stainless steel ones corrode soon and may aesthetically deteriorate the surrounding environment!
- Having removed the front panel, make sure that no dirt gets inside the product (especially onto the sealing surface and microphone sound guides).

⚠ Caution

- The warranty does not apply to the product defects and failures arisen as a result of improper mounting (in contradiction herewith). The manufacturer is neither liable for damages caused by theft within an area that is accessible after the attached electric lock is switched. The product is not designed as a burglar protection device except when used in combination with a standard lock, which has the security function.
- When the proper mounting instructions are not met, water might get in and destroy the electronics. It is because the intercom circuits are under continuous voltage and water infiltration causes an electro-chemical reaction. The manufacturer's warranty shall be void for products damaged in this way!

ℹ Note

- The microphone sound guides are normally loose after the front panel is removed! The screw is only used as a fall-out protection during installation.

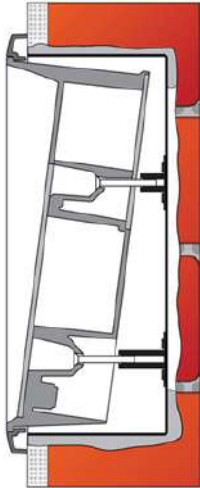
⚠ Warning

Be sure keep strictly the hole dimensions while mounting the device into classic bricks without the flush mounting box as shown in the picture with dimensions.

Flush Mounting – Classic Bricks

What You Need:

- The brick flush mounting box, Part No. 9151001
- Hole: (131 x 222 x 82) mm



If you use the brick flush mounting box, follow the instructions below:

1. Make a hole using the template.
2. Suppose that all the required cables have been carried into the hole.
3. Put the intercom inside and place the set onto the hole to make sure that the hole is deep enough and the uneven edge is perfectly covered with the frame.
4. If the hole is perfect, wall in the flush mounting box.
5. Remove the front panel from the intercom.
6. Select the holes for cable supply. Insert the blanks into the other holes. Apply the cable bushings or a suitable sealant to prevent penetration of insects or water. You can also insert the small bushing in the intercom bottom hole.
7. Put the frame on the intercom.
8. Place the intercom into the flush mounting box while introducing the cables. Leave some of the cables inside the unit as a reserve and the rest under the intercom bottom.
9. Insert the supplied screws in the side mounting holes making sure that they penetrate into the flush mounting box nuts. Tighten all the screws properly. Keep the maximum tightening torque of 1.5 Nm. Tip: The screw tightening sequence may affect the intercom position.
10. We recommend to seal the frame – wall gap with a silicone or another sealant to avoid wall dampening as a result of water leakage.
11. Do not complete mounting until you have finished electrical installation.

Be sure keep strictly the hole dimensions while mounting the device into classic bricks.

✓ **Tip**

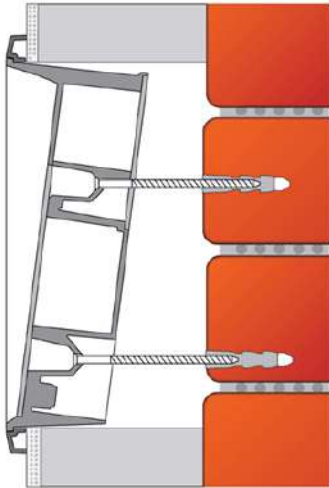
- While flush mounting, pull the cables through the device back opening leaving a reserve cable length behind the device if necessary.
- If the cables cannot be cut in the wall deep enough, you can use a smaller hole on the device bottom.

Flush Mounting – Thermally Insulated Wall

What You Need:

- Longer screws (depending on the thermal insulation thickness)
- Hole: (135 x 243,5 x 85) mm

Cut out the thermal insulation layer using the template (the same as for classic brick wall).



⚠ Caution

- The hole depth depends on the insulation layer thickness. If the insulation layer is rather thick, you may need longer screws! If there are hollow bricks under the insulation, make sure that your screws pass through the whole dowel (50 mm) and fix the dowel reliably.
- Make sure that the dowel holes have the required diameter. If the diameter is too large, the dowels may get loose. Use some suitable building adhesive to keep the dowels in place.
- Make sure that the hole depth is sufficient too! The dowel length is 50 mm and the screw length is 90 mm.

Suppose that all the required cables have been carried into the drilled hole. Now follow the instructions applicable for classic brick flush mounting. However, remember that thermally insulated walls show less strength than classic brick walls.

Flush Mounting – Plasterboard

Use the plasterboard flush mounting box and follow the instructions included therein.

What You Need:

- Plasterboard flush mounting box, Part No. 9151002
- Hole: (116 x 233 x 78) mm

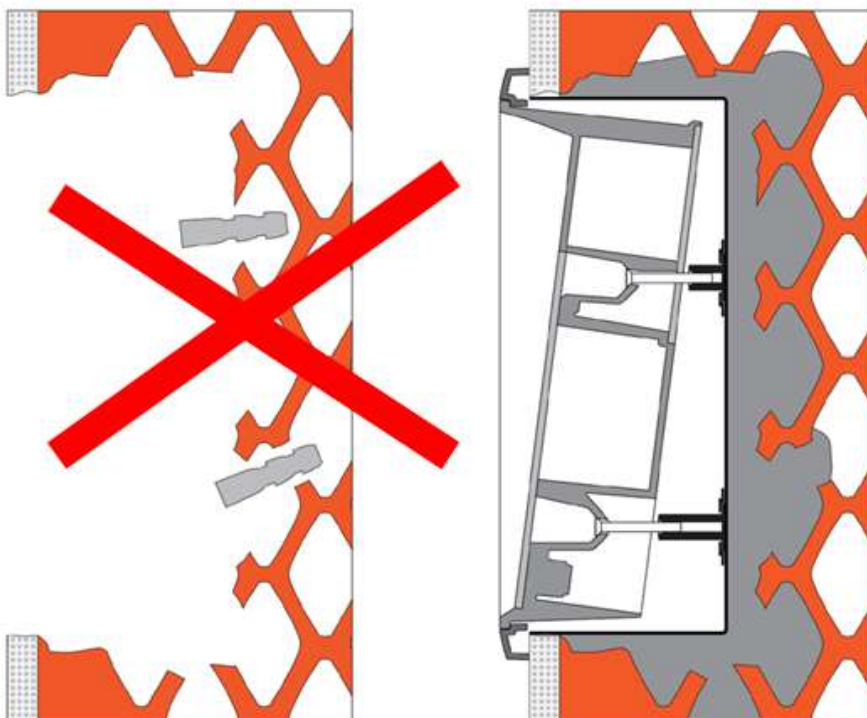


Flush Mounting – Hollow Bricks

What You Need:

- Brick flush mounting box, Part No. 9151001
- Hole: (131 x 222 x 82) mm

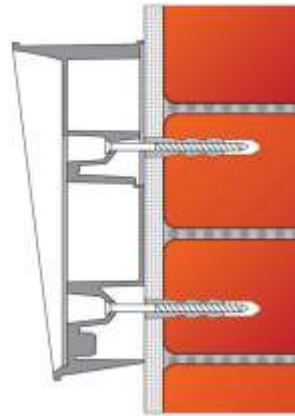
Suppose you intend to install your **2N® IP Force** unit into a wall made of hollow bricks. Note that the external side of the bricks gets damaged by cutting and the dowels cannot practically be fixed into the thin internal part of the bricks. Therefore, use the brick flush mounting box and follow the instructions included therein.



Wall Mounting

What You Need:

- Just your **2N® IP Force** unit



Wall (surface) mounting is used where flush mounting is inapplicable (in concrete and steel structures, entry barrier columns, etc.). The frame is not used.

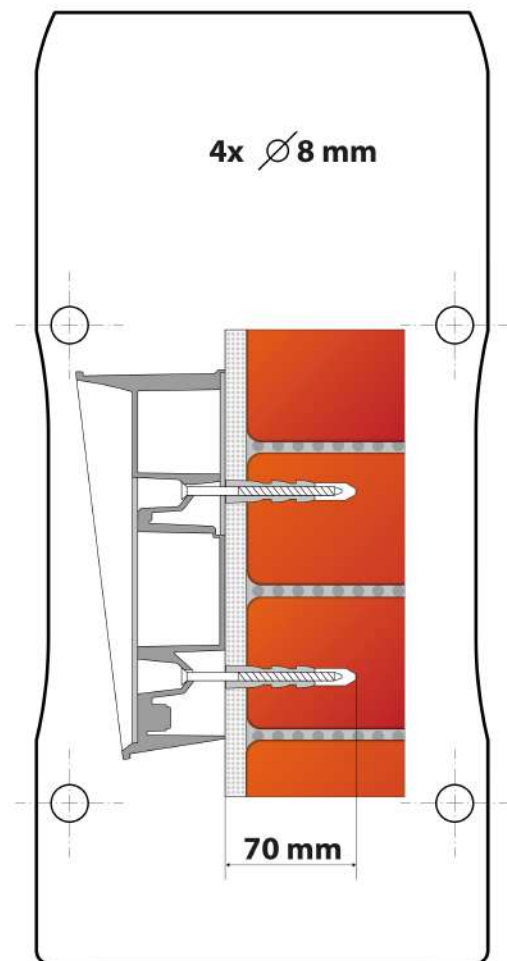
⚠ Caution

- Wall mounting may be a problem where vandals may destroy the unit (in public garages, e.g.). Therefore, use steel fixing elements instead of the dowels and screws included in the delivery.
- Be sure to insert plugs into unused bushing holes to avoid water leakage during facade cleaning, for example. Never leave the holes open for even a short time (one day delay between mounting and cable connection, e.g.).

⚠ Warning

- Eliminate the risk of accident! Wall mounting is not suitable for narrow passages or places where people's attention may be distracted. The manufacturer shall not be liable for injuries incurred as a result of unsafe mounting!

1. Select position with respect to the supply cables. Where the cables are installed inside a structure or wall, use the hole at the intercom bottom.
2. Drill holes of the depth of 70 mm for dowels in the wall as shown in the figure. Push or hammer the enclosed dowels into the drilled holes. Use some suitable building adhesive if the dowels are too loose. Use fixing elements of your own for steel structure surface mounting (metric screws + nuts, e.g.).
3. Remove the front panel from the intercom.
4. Select the holes for cable supply. Select and mount the bushings depending on the cables: 2-hole bushing or 1-hole bushing or both. Insert the blanks in the other holes.
5. Put the intercom on the wall/structure while introducing cables inside. Leave some of the cables inside the unit as a reserve. Insert the plugs in the unused bushings and tighten the bushing nuts carefully.
6. Do not complete mounting until you have finished electrical installation. Where cables lead along the surface, use the bushings included in the delivery.



Stand Mounting

This mounting method is suitable for entrance installations in particular.

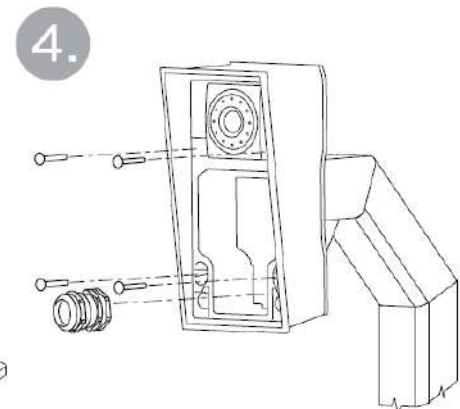
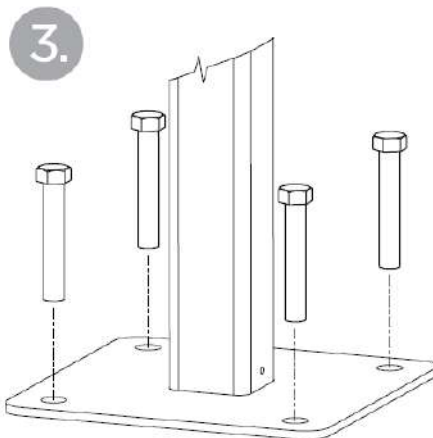
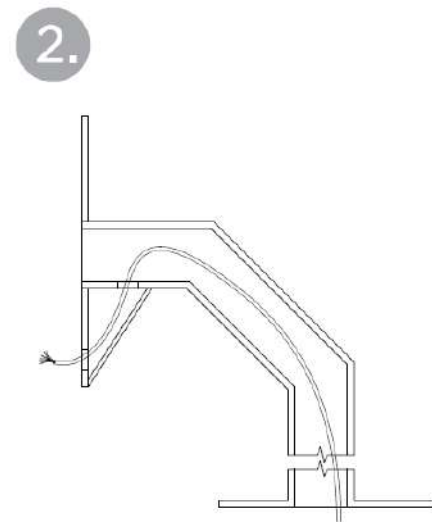
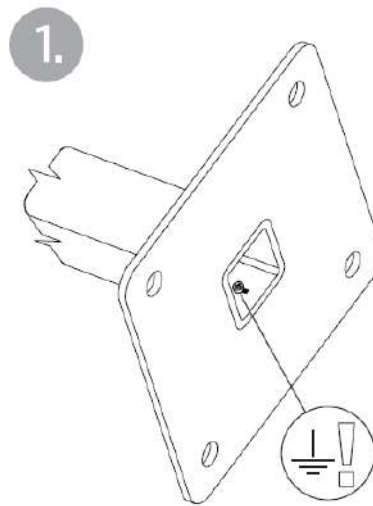
What you need for installation:

- Stand, Part No. 9151005
- Screws suitable for the surface – are not included in the package

⚠ Caution

- Remember to fit the stand to the base thoroughly especially if there is a risk of vandalism (public garages, etc.). Steel fitting elements are recommended.

1. Connect grounding.
2. Pull the cable through the stand.
3. Fit the stand to the base. Refer to the Base drilling template for the dimensions of the fitting elements. The screws are not included in the package. Use screws of your own according to the type of surface.
4. Use a cable bushing for the **2N® IP Force** cable fee-out!



Use of Cable Bushings

The cable bushings included in the **2N® IP Force** delivery are designed for the following cables:

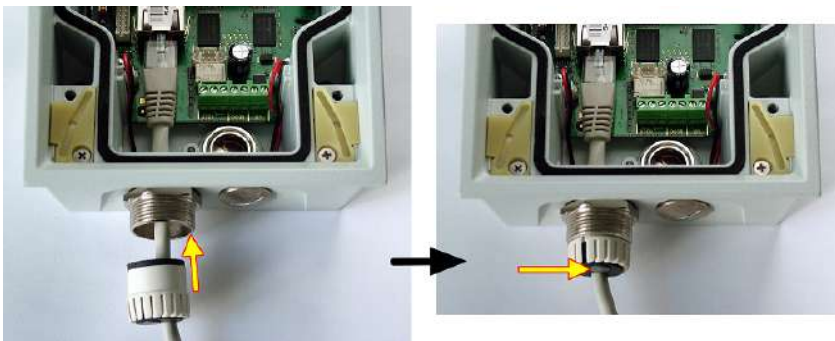
- Big bushing: for two cables of the diameter of 5–6 mm (UTP cable), or, upon insert replacement, for one thick cable/tube of the diameter of up to 14 mm.
- Small bushing: for one cable of the diameter of 5–8 mm.

✓ Tip

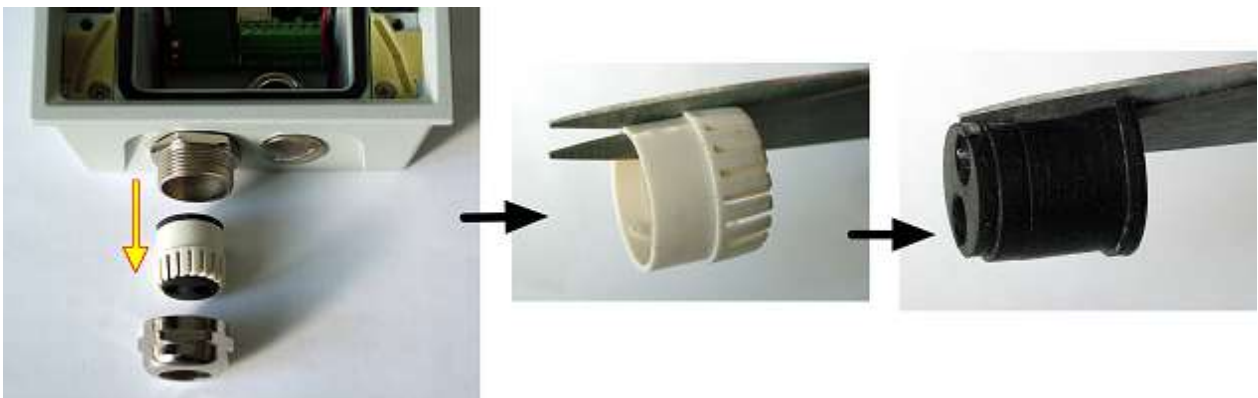
- Even a LAN cable including the RJ-45 connector can go through the big bushing. See below for instructions.

How to Pull a RJ-45 Terminated Cable through a Bushing

1. Unscrew the big bushing nut completely.



2. Remove the sealing including the cover from the bushing. Cut either of the components as shown in the figures.



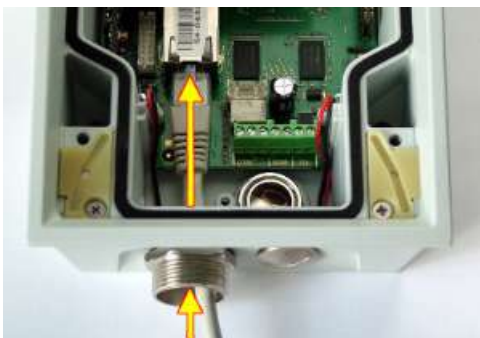
3. Put the bushing nut on the cable and insert the sealing.



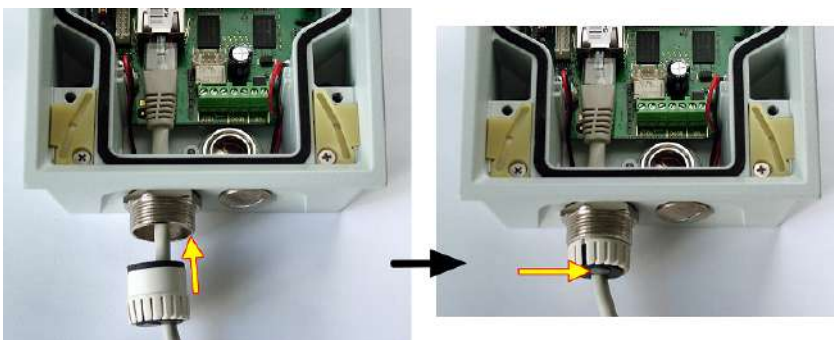
4. Replace the cover onto the sealing.



5. Pull the cable connector through the bushing body into the intercom and clip it into the motherboard connector.



6. Move the sealing including the cover along the cable as far as the bushing body, or add a plug if necessary.



7. Replace and tighten the nut.



2.3 Electric Installation

This subsection describes how to connect **2N IP Force** into your Local Area Network (LAN) and how to connect supply voltage and the electric lock.

- PCB Connectors
- LAN Connection
- External Power Supply Connection
- Electric Lock Connection
- Factory Default Resetting (PCB version 555v5)
- Factory Default Resetting (PCB version 555v3 and higher)
- Factory Default Resetting (PCB version 555v2)
- Grounding
- Mounting Completion
- Available Switches

⚠ Caution

- The device must be part of the electrical system of the building.

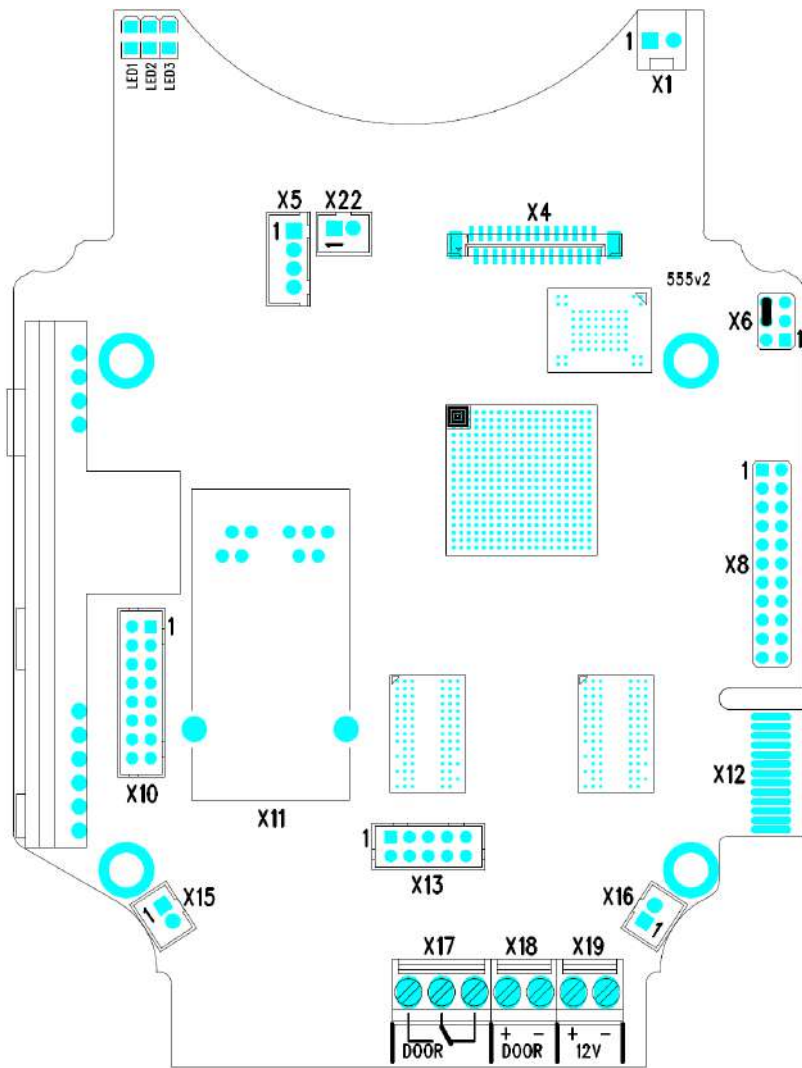
PCB Connectors

Picture shows the lay-out of connectors on the **2N IP Force** printed circuit board (PCB). Cables, accessories and other system components are connected to connectors X1 through X22.

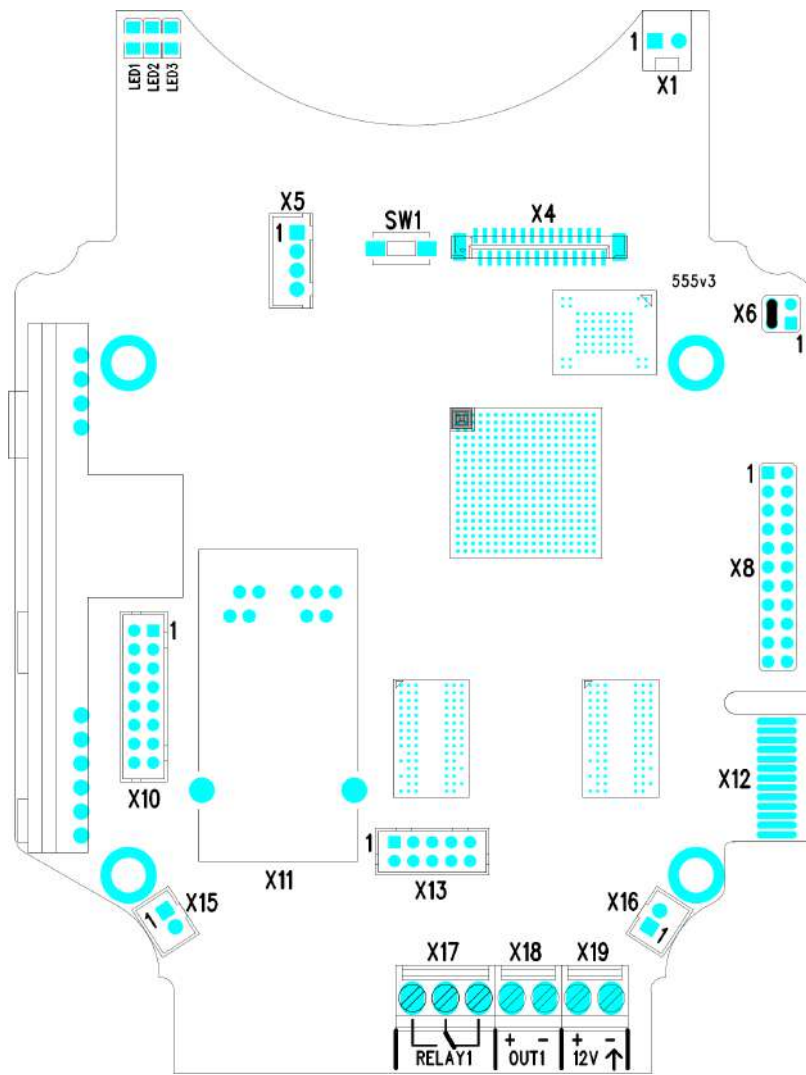
Connectors description:

- **X1** – Loudspeaker
- **X2** – Button 2
- **X3** – Button 3
- **X4** – Camera module
- **X5** – Button 1

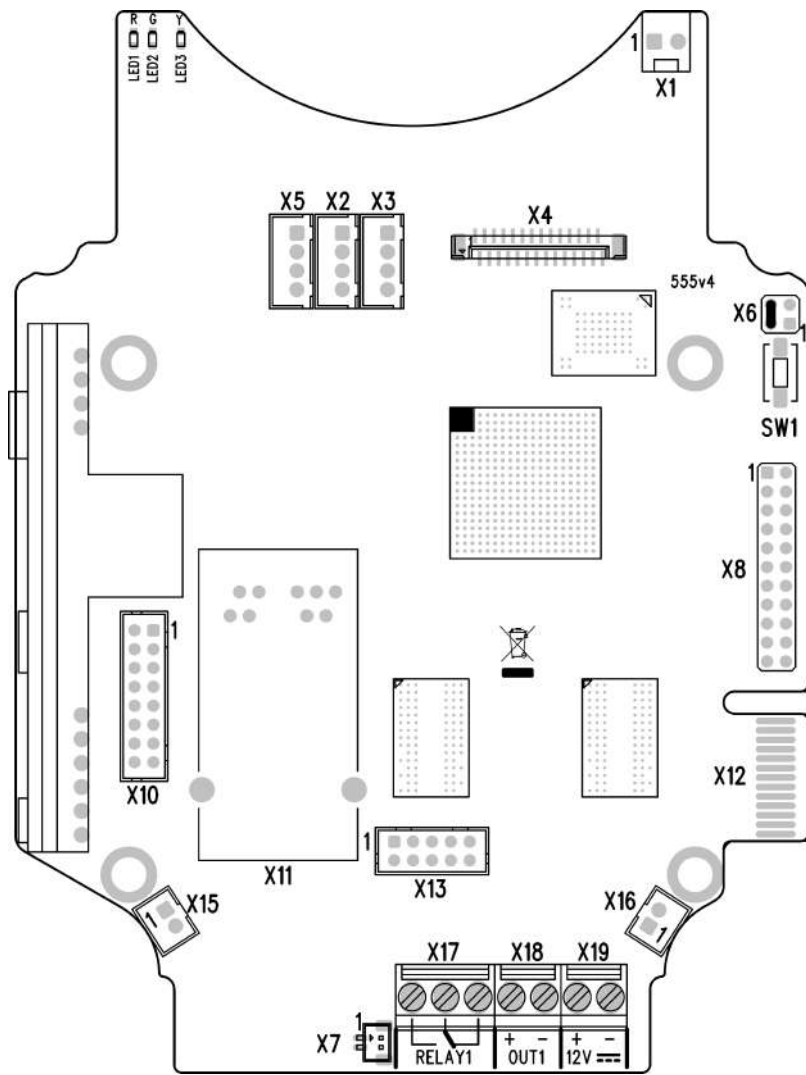
- **SW1** – Reset button (version 555v3 and higher)
- **X6** – Configuration jumpers
- **X7** – Induction loop output. Connector type JST SHR-02V-S.
- **X8** – Extending module (RFID card reader or additional switch)
- **X10** – Buttons 1 through 4
- **X11** – LAN
- **X12** – Servicing connector
- **X13** – Keypad module
- **X15** – Left-hand microphone
- **X16** – Right-hand microphone
- **X17** – Relay NO and NC contact max. 30 V / 1 A AC/DC. Used for connection of non-critical devices only (lights, e.g.).
- **X18** – Switched output 9 up to 13 V DC depending on power supply (PoE: 9 V; adaptor: power supply voltage minus 1 V), max 700 mA
- **X19** – Power input 12 V \pm 15 % / 2 A DC
- **LED1/2** – System status indicators
- **LED3** – LAN connection activity indicator



2N IP Force Connectors, PCB Version 555v2



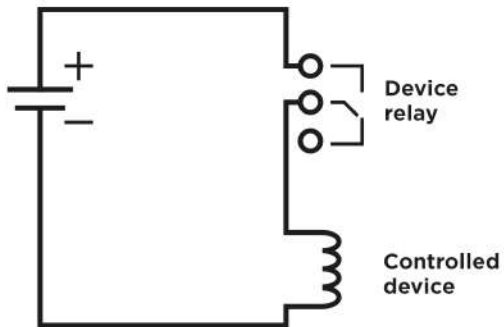
2N IP Force Connectors, PCB Version 555v3



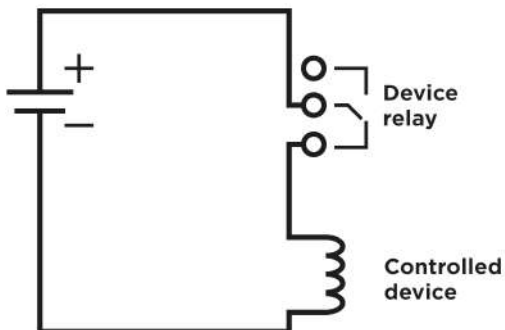
2N IP Force Connectors, PCB Version 555v4

✓ **Tip**

- Output wiring diagram for Relay terminals



Wiring diagram for the controlled device's electric circuit closing



Wiring diagram for the controlled device's electric circuit opening

LAN Connection

2N IP Force is connected to the LAN via a RJ-45 terminated (connector X11) UTP/STP cable (of category Cat 5e or higher). The system is equipped with the Auto-MDIX function and so both the straight and crossed cable versions can be used.

⚠ Caution

- We recommend the use of a LAN surge protection.
- We recommend the use of a shielded SSTP Ethernet cable.

⚠ Warning

- This product cannot be connected directly to the telecommunications lines (or public wireless LANs) of any telecommunication carriers (e.g. mobile communications carriers, fixed communications carriers, or internet providers). In the case of connecting this product to the Internet, be sure to connect it via a router.

External Power Supply Connection

2N IP Force can be fed either from an external 12 V $\pm 15\%$ / 2 A DC power supply or from the LAN equipped with the PoE 802.3af supporting network elements.

⚠ Warning

The adapter must provide less than 100 W of power, the LPS/PS2 limit acc. to UL/CSA 60950-1 or UL/CSA 62368-1.

External Power Supply

An external 12 V power supply is connected to terminal block X19. Use a 12 V $\pm 15\%$ DC power source dimensioned to current intake of 2 A at least (Part No. 91341481E) to ensure a reliable function of your device.

PoE Supply

2N IP Force is compatible with the PoE 802.3af (Class 0–12.95 W) technology and can be supplied directly from the LAN via compatible network elements. If your LAN is incompatible, insert the PoE injector, Part No. 91378100E/US, between **2N IP Force** and the nearest network element.

Electric Lock Connection

2N IP Force is equipped with an electrically isolated relay switch with NO and NC contacts (terminal block X17, max. 30 V / 1 A AC/DC) and 9 up to 13 V DC depending on power supply (PoE: 9 V; adaptor: power supply voltage minus 1 V), max 600 mA switched output (terminal block

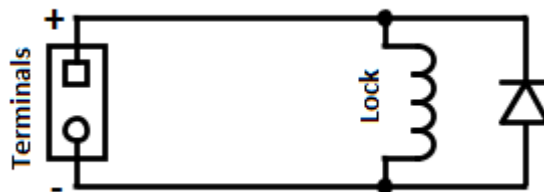
X18), to which a standard electric lock or another compatible electrical appliance can be connected.

Note

- Devices with PCB version 555v3 and higher provides independent control of 12 V switched output (terminal block X18) and relay switch (terminal block X17). Devices with PCB version 555v2 have both outputs switched simultaneously.

Warning

When you connect a device containing a coil, such as a relay or an electromagnetic lock, it is necessary to protect the intercom against voltage peak while switching off the induction load. For this way of protection we recommend a diode 1 A / 1000 V (e.g., 1N4007, 1N5407, 1N5408) connected antiparallel to the device.




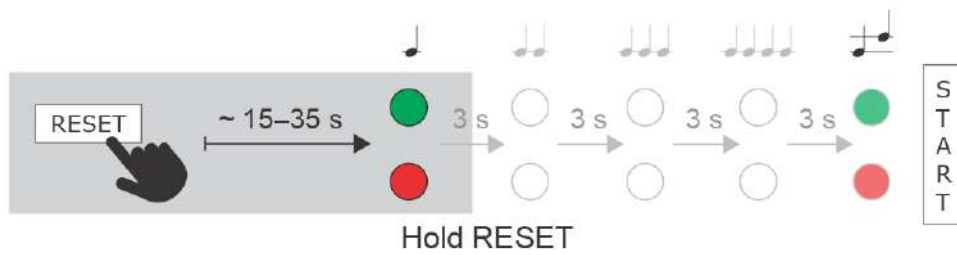
Reset Button

Located among the main unit connectors, the Reset button helps you reset the factory default values, restart the device, find the device IP address and switch the static/dynamic mode.

IP Address Finding

Follow the instructions below to **identify the current IP address**:

- Press and hold the RESET button.
- Wait until the red and green LEDs go on simultaneously on the device and the acoustic signal  can be heard (approx. 15–35 s).
- Release the RESET button.
- The device automatically announces the current IP address.





Note

- The delay after pressing RESET till the first light and sound signalling is set to 15-35 s depending on the 2N IP intercom/answering unit model used.
 - 24 s is the valid value for **2N IP Force** HW version 8.

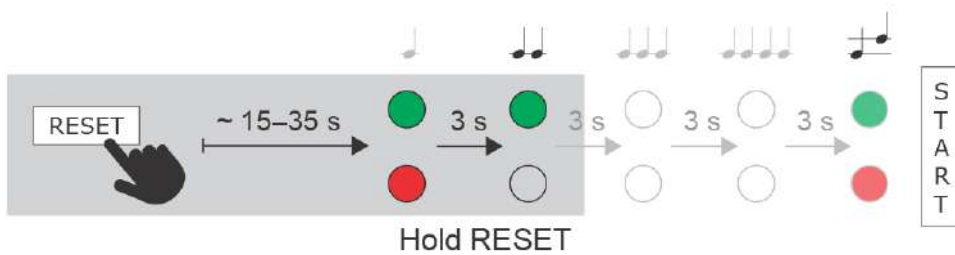
Static IP Address Setting

Follow the instructions below to switch on the **Static IP address** mode (DHCP OFF):

- Press and hold the RESET button.
- Wait until the red and green LEDs go on simultaneously on the device and the acoustic signal  can be heard (approx. 15–35 s).
- Wait until the red LED goes off and the acoustic signal  can be heard (approx. for another 3 s).
- Release the RESET button.




The following network parameters will be set after restart:

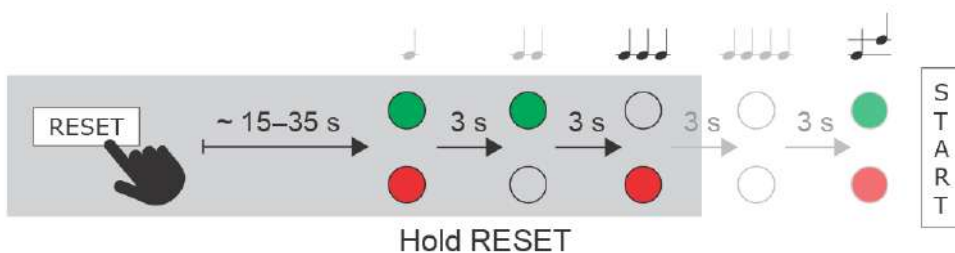
- IP address: 192.168.1.100
- Network mask: 255.255.255.0
- Default gateway: 192.168.1.1



Dynamic IP Address Setting





Follow the instructions below to switch on the **Dynamic IP address** mode (DCHP ON):

- Press and hold the RESET button.
- Wait until the red and green LEDs go on simultaneously on the device and the acoustic signal  can be heard (approx. 15–35 s).
- Wait until the red LED goes off and the acoustic signal  can be heard (approx. for another 3 s).
- Wait until the green LED goes off and the red LED goes on again and the acoustic signal  can be heard (approx. for another 3 s).
- Release the RESET button.

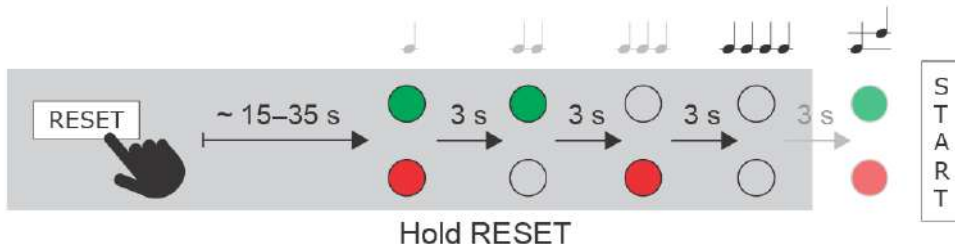


Factory Reset (PCB version 555v5 and higher)

Follow the instructions below to **reset the factory default values**:

- Press and hold the RESET button.
- Wait until the red and green LEDs go on simultaneously and the acoustic signal  can be heard (approx. 15–35 s).
- Wait until the red LED goes off and the acoustic signal  can be heard (approx. for another 3 s).
- Wait until the green LED goes off and the red LED goes on again and the acoustic signal  can be heard (approx. for another 3 s).
- Wait until the red LED goes off and the acoustic signal  can be heard (approx. for another 3 s).

- Release the RESET button.



⚠ Caution

- In case of resetting the factory default settings on a device with a version of firmware 2.18 or higher it is necessary to reprogram the **2N Security Relay** using the instructions from section 2.4.

Device Restart

Press the RESET button shortly (< 1 s) to restart the system without changing configuration.

📘 Note

- The time interval between the short press of RESET and reconnection after restart is 25–50 s for **2N IP Force** depending on the HW version.

Factory Default Resetting (PCB version 555v3 and higher)

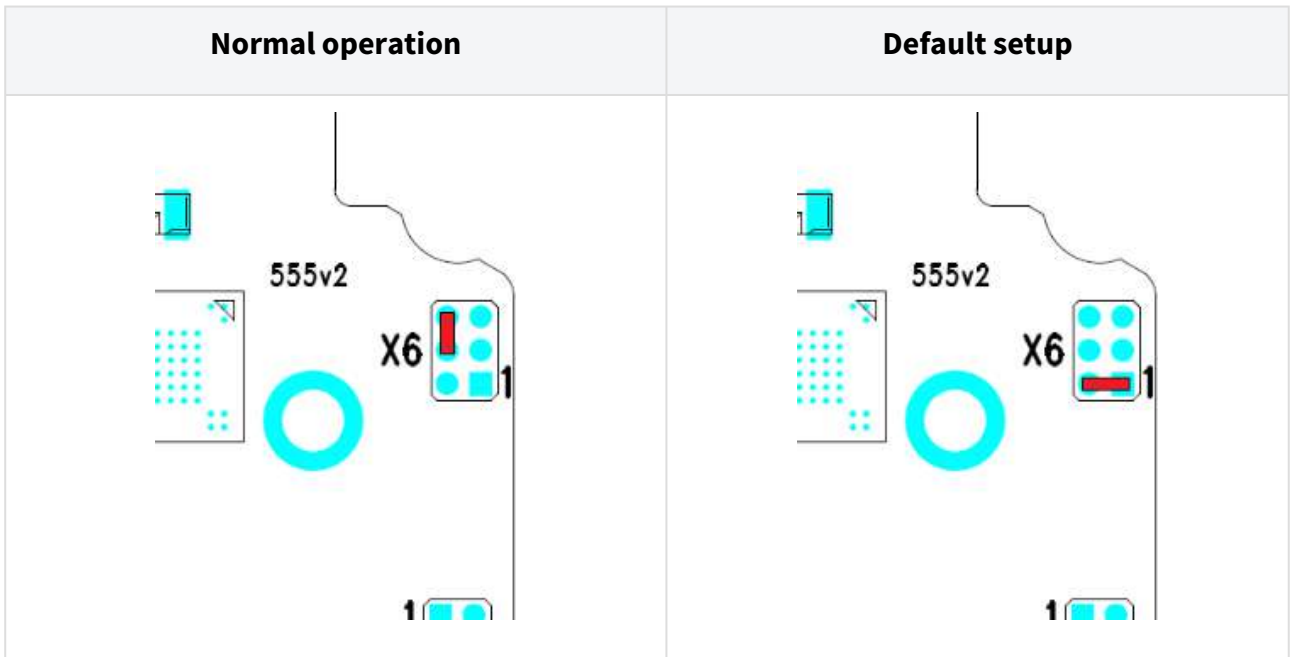
For resetting device to default settings press and hold SW1 button. Wait for the first sound signalization and then release the button. If you press the button for short time device will reboot only. SW1 button is available in devices with PCB version 555v3 and higher. For devices with PCB version 555v2 see procedure below.

Caution

- In case of resetting the factory default settings on a device with a version of firmware 2.18 or higher it is necessary to reprogram the **2N IP Security Relay** using the instructions from section [2.4](#).

Factory Default Resetting (PCB version 555v2)

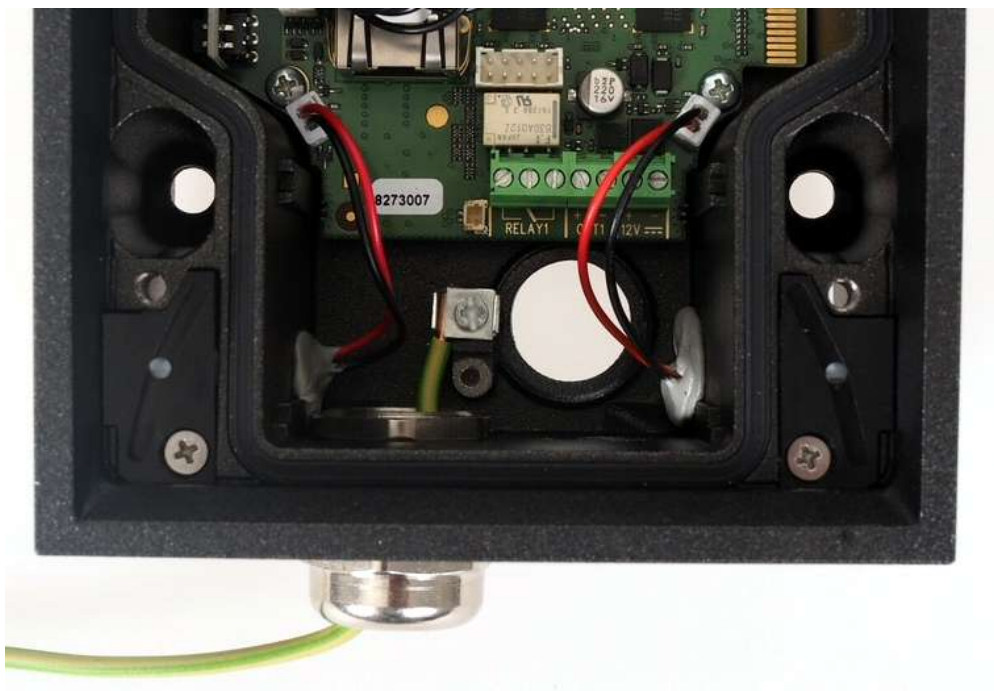
1. Disconnect the device from the power supply.
2. Move the short-circuit jumper on connector X6 into the **Default setup** position.
Configuration jumpers (X6) are located in the right-hand upper corner of the PCB.
3. Reconnect the power supply and wait for a start signalling sound.
4. Disconnect the device from the power supply.
5. Move the short-circuit jumper on connector X6 into the **Normal operation** position.
6. Reconnect the power supply. The device will be reset to factory default.



Configuration jumpers X6, PCB version 555v2

Grounding

We recommend to ground the intercom in order to improve the static electricity resistance. For proper grounding you need a cable of the minimum cross-section of 4 mm². Connect the cable to the connector in the bottom part of the intercom. The connector is enclosed to the delivery.



Mounting Completion

1. Having connected all the wires, make sure that the bushings, if used, are tightened properly and the RJ-45 connector is inserted in the PCB connector.
2. Replace the front cover carefully. Make sure that the connector is inserted correctly and the wires inside the device leave enough space for the board if you are installing a four-button board. Tighten the four screws thoroughly with the wrench enclosed (Torx 20) to make the panel fit tightly to the metal chassis. Keep the maximum tightening torque of 1.5 Nm.

Caution

- Properly installed intercom is waterproof. An incorrect mounting may compromise the intercom watertightness. Water leakage may damage the electronic part of the system.
- Stainless steel screws are used for the **2N IP Force** assembly. Other screws than stainless steel ones corrode soon and may aesthetically deteriorate the surrounding environment!

Available Switches

Location	Name	Description
Basic Unit	Relay 1	Passive relay switch: NO and NC contacts, up to 30 V / 1 A AC/DC. Used for connection of non-critical devices only (lights, e.g.).
	Output 1	Active switch output: 8 up to 12 V DC depending on power supply (PoE: 10 V; adaptor: power supply voltage minus 2 V), max 600 mA
Additional Switch* (Part No. 9151010)	Relay 2	Passive relay switch: NO and NC contacts, up to 30 V / 1 A AC/DC. Used for connection of non-critical devices only (lights, e.g.).
	Output 2	Active switch output : 8 up to 12 V DC depending on power supply (PoE: 10 V; adaptor: power supply voltage minus 2 V), max 600 mA
Internal RFID Card Reader 125 kHz* (Part No. 9151011)	Relay 1 (Card Reader),	Passive relay switch: NO and NC contacts, up to 30 V / 1 A AC/DC
	Output 1 (Card Reader)	Active switch output: 8 up to 12 V DC depending on power supply (PoE: 10 V; adaptor: power supply voltage minus 2 V), max 400 mA
Internal RFID Card Reader 13.56 MHz* (Part No. 9151016)	Relay 1 (Card Reader),	Passive relay switch: NO and NC contacts, up to 30 V / 1 A AC/DC
	Output 1 (Card Reader)	Active switch output: 8 up to 12 V DC depending on power supply (PoE: 10 V; adaptor: power supply voltage minus 2 V), max 400 mA

Only one module marked by * can be used.

2.3.1 Overvoltage Protection

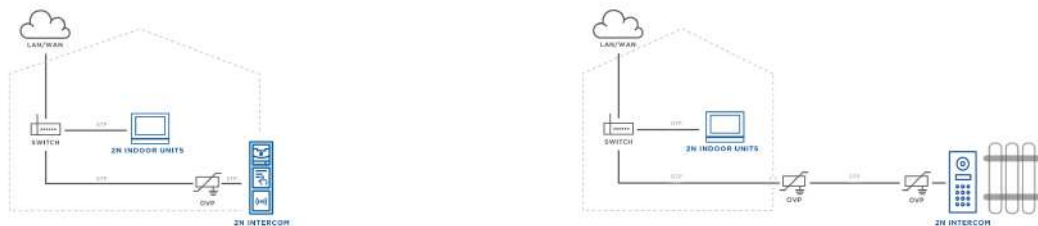
Recommendations for Additional Overvoltage Protection Installation

If running:

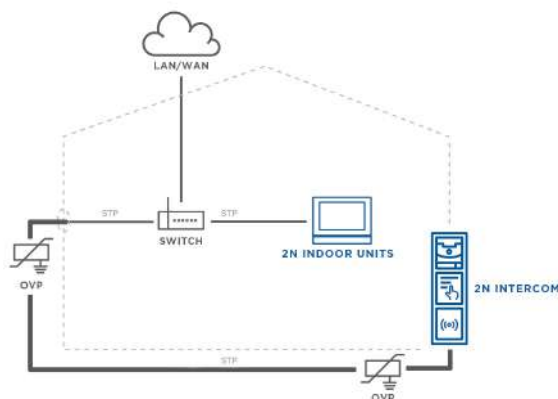
- a) outside a building,
- b) on/in an outer wall or roof,

the 2N device wiring may be exposed to atmospheric effects resulting in overvoltage that may subsequently damage any devices installed outside the building, on its outer wall or roof. Overvoltage may damage devices connected to these wires and installed inside the building as well. Therefore, we recommend that additional surge protectors be installed on all the wires leading outside buildings, on outer walls or roofs, namely:

- a) as close as possible to the device installed outside the building or on its outer wall/roof,
- b) as close as possible to the point where the wires leave the building.



OVP = overvoltage protection



2.4 Extending Module Connection

2N IP Force allows the following extending modules to be connected:

- Additional Switch
- Internal RFID Card Reader 125 kHz
- Internal RFID Card Reader 13.56 MHz
- Internal secured RFID Card Reader 13.56 MHz
- Internal RFID Card Reader 125 kHz, OSDP
- 2N IP Force RFID 13.56MHz, NFC, OSDP
- 2N IP Force RFID 13.56MHz secured, NFC, OSDP
- Security Relay
- Wiegand Isolator
- Induction Loop external
- Induction Loop internal

⚠ Caution

- In case the firmware versions of the module to be connected and the main unit are incompatible, the module will not be detected. Therefore, it is necessary to update the device firmware after the modules are connected. Use the device web interface in the System > Maintenance > System configuration section for firmware upgrade (see [Configuration manual for 2N IP intercoms](#)).

Additional Switch

The **Additional Switch** (Part No.9151010) is used for extending the number of inputs/ outputs. This extending module is intended for mounting into the **2N IP Force** main unit and is compatible with the basic units with Part No. 915110xxxx. If the Additional Switch is installed, it is not possible to install Internal RFID Card Reader.



Function:

The **2N IP Force** Additional Switch adds two additional switches, one logical input and a tamper switch to the **2N IP Force** basic unit. The purpose of the tamper switch is to signal any unauthorised opening of the intercom (to prevent a theft, e.g.). It is recommended to use the tamper switch.

✓ **Tip**

- FAQ: [Tamper switch - How to install it into the 2N IP Force](#)

Specifications version 5:

- IN2 terminals for input in passive / active mode (-30 V to +30 V DC)
 - OFF = open OR $U_{IN} > 1.5 \text{ V}$
 - ON = closed contact OR $U_{IN} < 1.5 \text{ V}$
- RELAY2 terminals 30 V/1 A AC/DC NO/NC contact
- OUT2 active output: 12 V/600 mA DC
- Tamper switch input (X2): 24 V/50 mA AC/DC

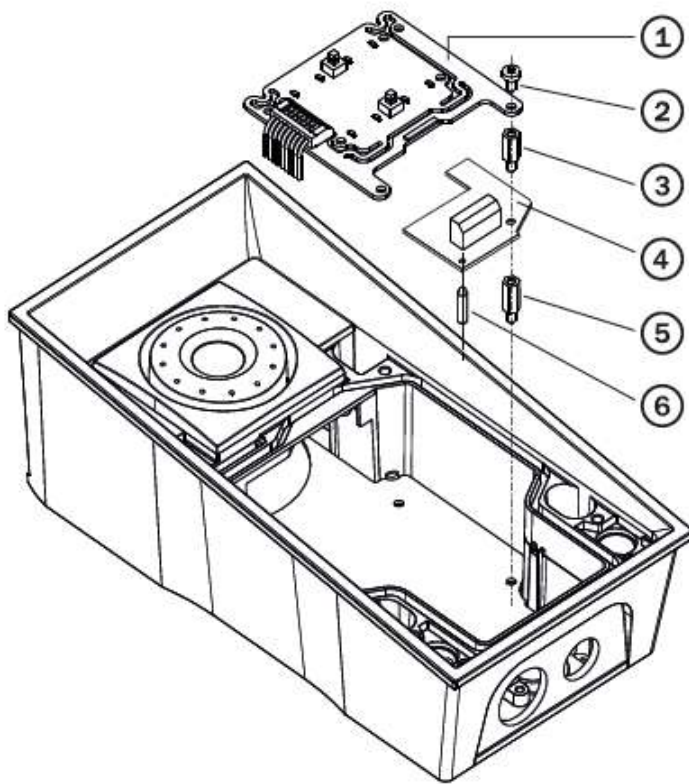
Specifications version 4 a lower:

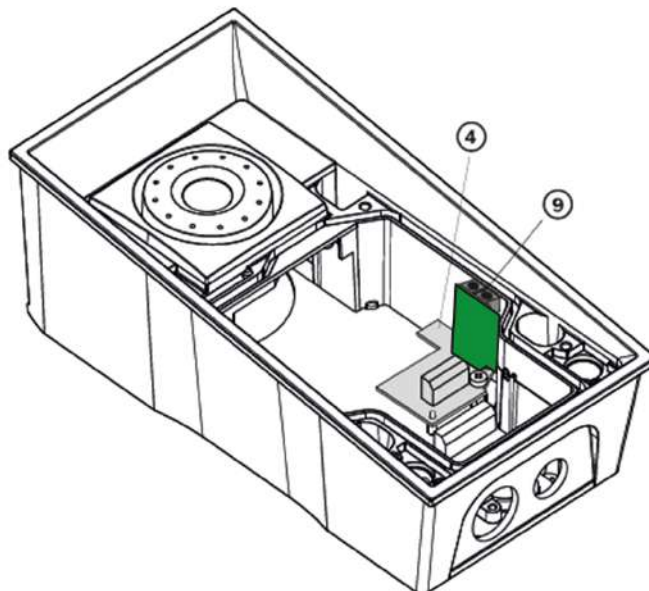
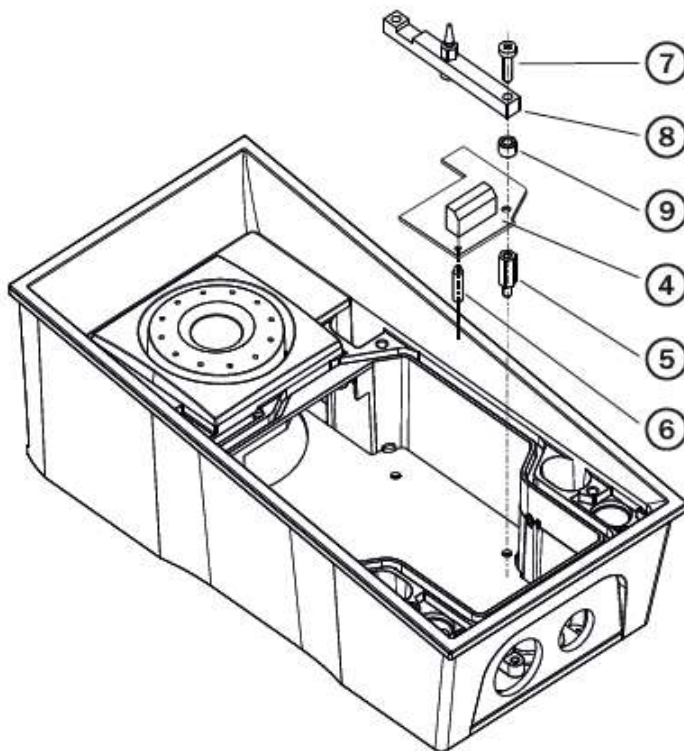
- Passive switch: NO and NC contacts, up to 30 V / 1 A AC/DC
- Active switch output: 9 V (Using PoE) or power supply voltage minus 1 V, from 9 to 13 V max. 700 mA DC
- Tamper switch: 24 V / 50 mA AC/DC

Module mounting:

1. Turn off and disconnect the intercom.
2. Remove the front panel from the intercom.
3. According to your model
 - a. If you are mounting the switch into a two-nameplate model, demount the button PCB (1) and remove the right-hand bottom spacer (there are four PCB fitting spacers altogether).
 - b. If you are mounting the switch into a keypad model, take the keypad out of the holder. Demount the right-hand keypad holder – beam with a pin (8) – remembering its position. Demount the right-hand bottom spacer. Do not disconnect the keypad cable!
 - c. If you are mounting the switch into a model other than the two ones mentioned in items 3a and 3b above, remove the right-hand bottom screw from the main board.
4. Now screw the enclosed 12 mm spacer (5) into the vacated main board slot.
5. Mount the enclosed plastic support (6) onto the switch board bottom side.
6. Put the switch board (4) in the main board connector making sure that the screw hole is directly above the spacer.
7. According to your model
 - a. If you are mounting the switch into a two-nameplate model, fit the switch board with the enclosed 10.5 mm spacer (3) and reinstall the button PCB (1).
 - b. If you are mounting the switch into a keypad model, reinstall the beam (8) of the keypad holder (the slot is on top). Insert the enclosed 4.5 mm washer (9) between

- the beam and the switch board, fitting the assembly with the 15 mm screw enclosed (7).
- c. If you are mounting the switch into a model other than the two ones mentioned in items 7a and 7b, fit the switch board with the original 6 mm screw (2).
8. If you want to use the tamper switch, insert the tamper board (9) in the connector located in the right-hand bottom part of the switch board (4). As the tamper switch shares the relay output (NO and NC) terminals, you cannot use the RELAY2 output with the tamper switch together.
 9. Place front panel back and tighten all four screws.

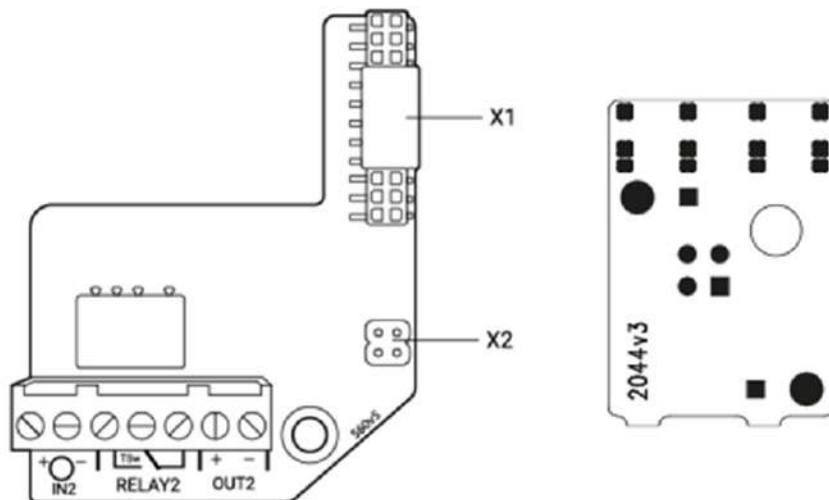




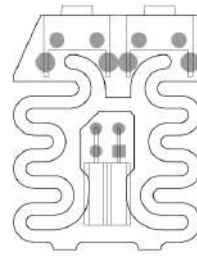
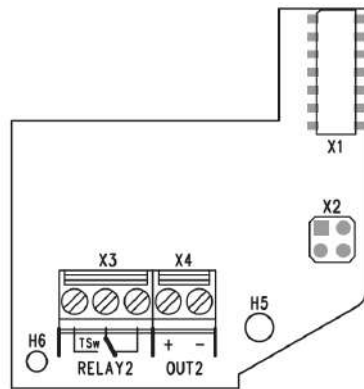
Module settings:

Refer to the Configuration Manual for details.

Connection:



Version 5



Version 4 and lower

Internal RFID Card Reader 125 kHz

The **Internal RFID Card Reader 125 kHz** (Part No. 9151011) is used for reading RFID card IDs in the 125 kHz band. This module is intended for mounting into the **2N IP Force** model 9151102CR, 9151102R, 9151101CRP and 9151101RP. These models have an window, which is necessary for antenna operation. If the Internal RFID Card Reader is installed, it is not possible to install the Additional Switch.



Function:

The **2N IP Force** Internal RFID Card Reader adds two logical inputs, two additional switches and a tamper switch to the **2N IP Force** basic unit.

The purpose of the tamper switch is to signal any unauthorised opening of the intercom (to prevent a theft, e.g.). It is recommended to use the tamper switch.

✓ Tip

- FAQ: [Tamper switch - How to install it into the 2N IP Force](#)

Specifications:

Card reader

- Compatible with:
 - EM4xxx
- Operating frequency: 125 KHz
- Minimum reading distance: 10 mm above **2N IP Force** cover

Relay output

- Switching contact
- 30 V / 2 A AC/DC

Active output

- 9 to 12 V / 700 mA transistor switched output

Logical inputs

Active mode – requires external voltage (JP2 jumper OFF)

- $U_{IN-ON} = \text{min } +2.5 \text{ V}$
- $U_{IN-OFF} = \text{max } +1.5 \text{ V}$
- $U_{IN} \text{ max} = +48 \text{ V}$
- $I_{IN} (U_{IN} +48 \text{ V}) = \text{max } 1 \text{ mA}$

Passive mode – requires external contact only (JP2 jumper ON)

- $U_{OUT} = \text{approx. } 8.3 \text{ V}$
- $I_{LOOP} = \text{approx. } 0.5 \text{ mA}$

Signalling output

- Internal red LED under reader window

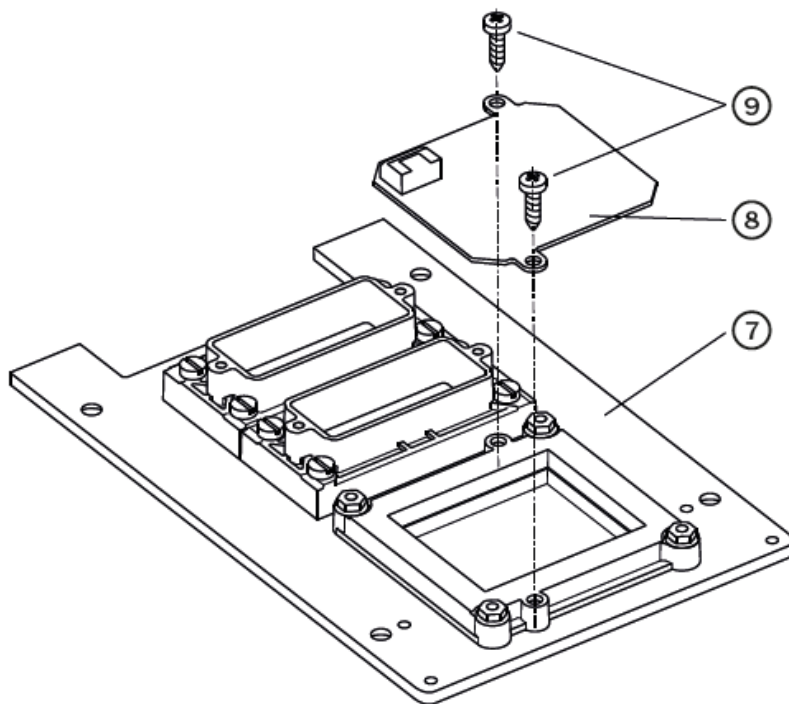
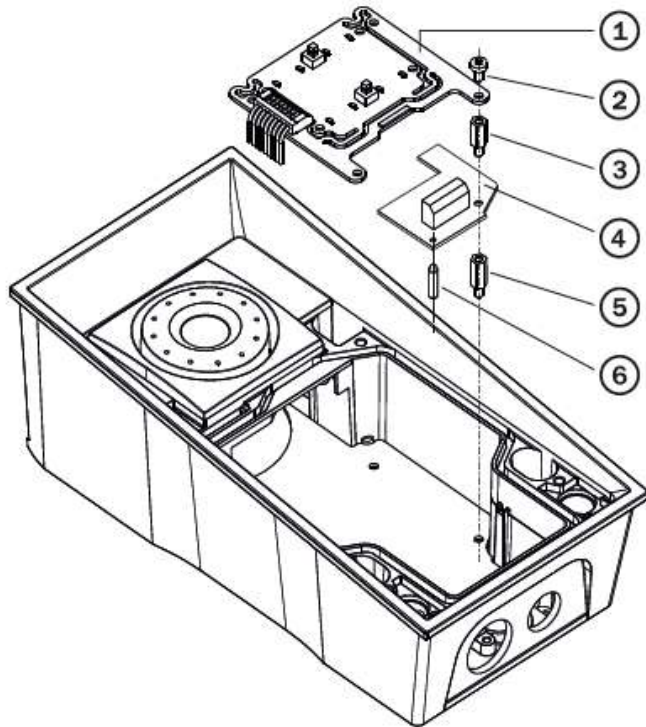
WIEGAND interface

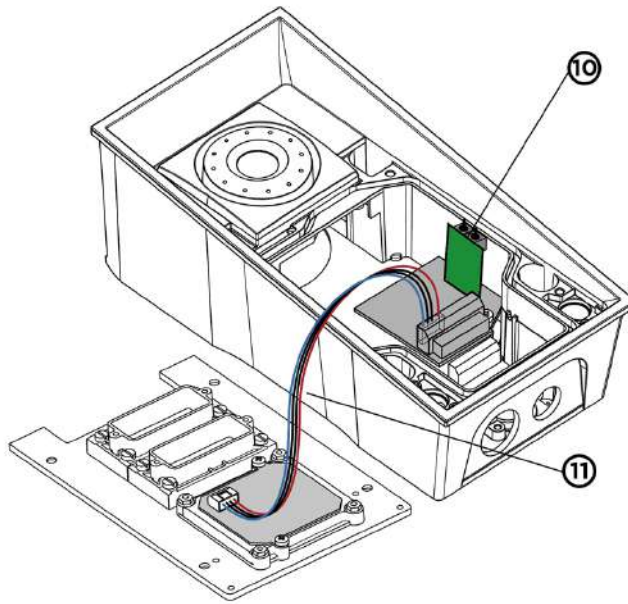
- Off/Input/Output (as programmed)

Mounting guide:

1. Turn off and disconnect the intercom.
2. Remove the front panel (7) from the intercom.
3. Mount antenna board (8). Use two enclosed self tapping screws (9).
4. Plug enclosed cable (11) to the antenna board connector.
5. Demount a button PCB (1). Don't disconnect its cable!
6. There will stay four spacers after the switch board removal. Dismount the bottom right one.
7. There are two short metal spacers enclosed to the reader. Take a longer one (5), 12 mm long. Screw it into the free hole.
8. Plug an enclosed plastic support (6) to the reader board from the bottom side.
9. Put the reader board (4) in the main board connector making sure that the mounting hole is directly above the spacer.
10. Screw in a remaining metal spacer (3), 10.5 mm long.
11. Fit the button PCB (1) back to its position using original bolts (2).

12. If you want to use the tamper switch (to detect unauthorized opening the case, as a theft protection), insert the tamper board (10) in the connector located in the right-hand bottom part of the reader board (4). As the tamper switch shares the relay output (NO and NC) terminals, you cannot use the RELAY2 output with the tamper switch at the same time.
13. Plug the antenna cable (11) to its connector at the reader board (4).
14. Place front panel back and tighten all four screws.

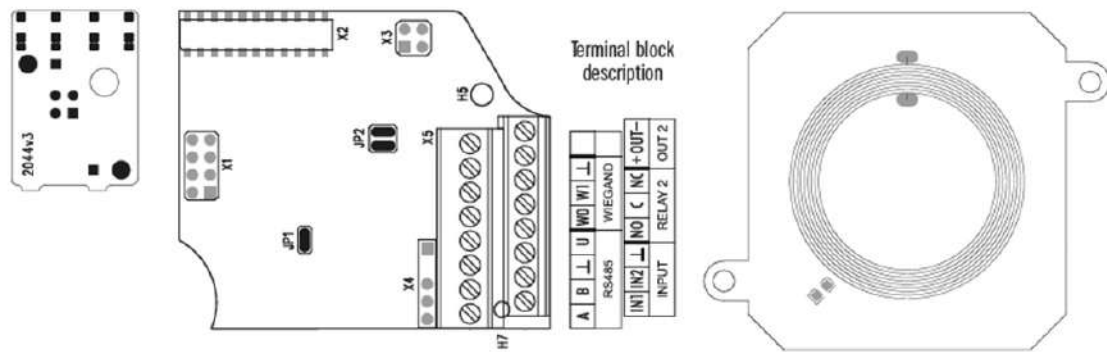




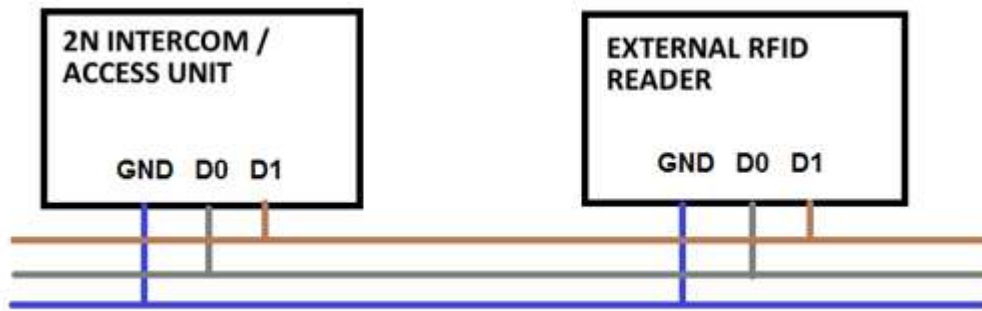
Module setting:

Refer to the Configuration Manual for details of Wiegand, outputs and reader. Refer to the Automation manual for details of input, red LED and tamper function and use.

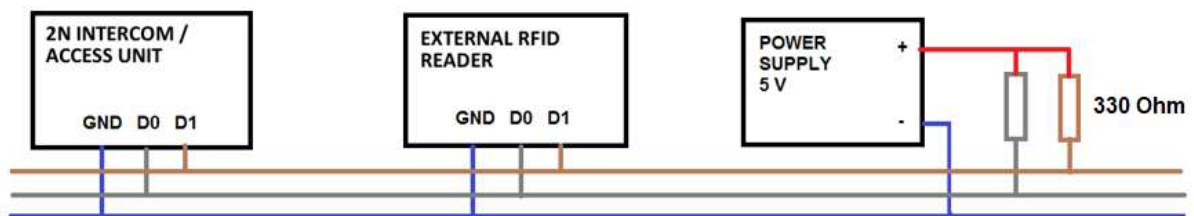
Connection:



Wiegand Input Technical Parameters	
Current	5 mA
Input resistance	680 Ohm
Pulse length	50 μs
Delay between pulses	approx. 2 ms



Recommended Wiring Diagram for Reader with Bus Driver



Recommended Wiring Diagram for Reader with Open Collector (OC) Output

Internal RFID Card Reader 13.56 MHz

The **Internal RFID Card Reader 13.56 MHz** (Part No. 9151031/9151017) is used for reading RFID card Ids in the 13.56 MHz band, NFC supported. This module is intended for mounting into the **2N IP Force** model 9151101RPW, 9151101CHRPW, 9151102RW and 9151102CHRW. These models have an window, which is necessary for antenna operation. If the Internal RFID Card Reader is installed, it is not possible to install the Additional Switch.



9151017**9151031**

Function:

The **2N IP Force** Internal RFID Card Reader adds two logical inputs, two additional switches and a tamper switch to the **2N IP Force** basic unit.

The purpose of the tamper switch is to signal any unauthorised opening of the intercom (to prevent a theft, e.g.). It is recommended to use the tamper switch.

✓ Tip

- FAQ: [Tamper switch – How to install it into the 2N IP Force](#)

Specifications:

Card reader

- Operating frequency: 13.56 MHz
- Minimum reading distance: 30 mm above **2N IP Force** cover
- **RFID Reader 9151031** is compatible with cards (only card serial number is read):
 - ISO14443A (MIFARE DESFire)
 - PicoPass (HID iClass)
 - FeliCa
 - ST SR(IX)
 - 2N Mobile Key
- **RFID Reader 9151017** is compatible with cards (only card serial number is read):
 - ISO14443A (MIFARE DESFire)
 - PicoPass (HID iClass)
 - FeliCa
 - ST SR(IX)
 - 2N Mobile Key

Relay output

- Switching contact
- 30 V / 2 A AC/DC

Active output

- 9 to 12 V / 700 mA transistor switched output. Depends on power supply (PoE: 9 V or power supply voltage minus 1 V).

Logical inputs

Active mode – requires external voltage (JP2 jumper OFF)

- $U_{IN-ON} = \text{min } +2.5 \text{ V}$
- $U_{IN-OFF} = \text{max } +1.5 \text{ V}$
- $U_{IN \text{ max}} = +48 \text{ V}$
- $I_{IN} (U_{IN} +48 \text{ V}) = \text{max } 1 \text{ mA}$

Passive mode – requires external contact only (JP2 jumper ON)

- $U_{IN1} = \text{approx. } 8.3 \text{ V}$
- $U_{IN2} = \text{approx. } 8.3 \text{ V}$
- $I_{LOOP} = \text{approx. } 0.5 \text{ mA}$

Signalling output

- Internal red LED under reader window

PWR

- For external RFID card reader
- Out: 9 to 12 V / 350 mA depends on power supply

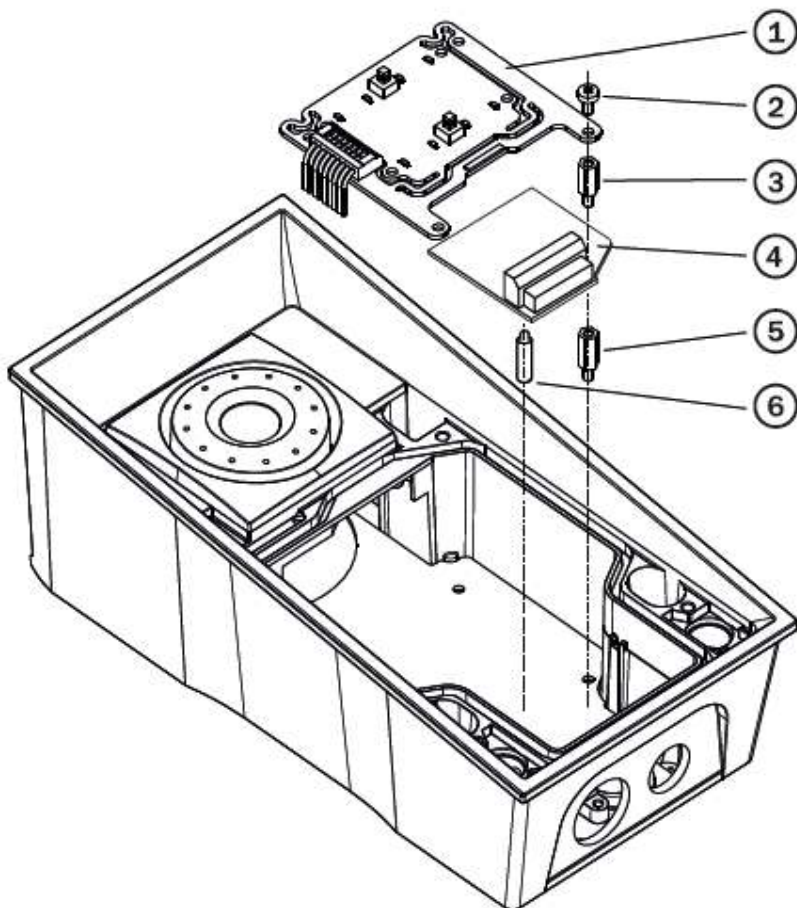
WIEGAND interface

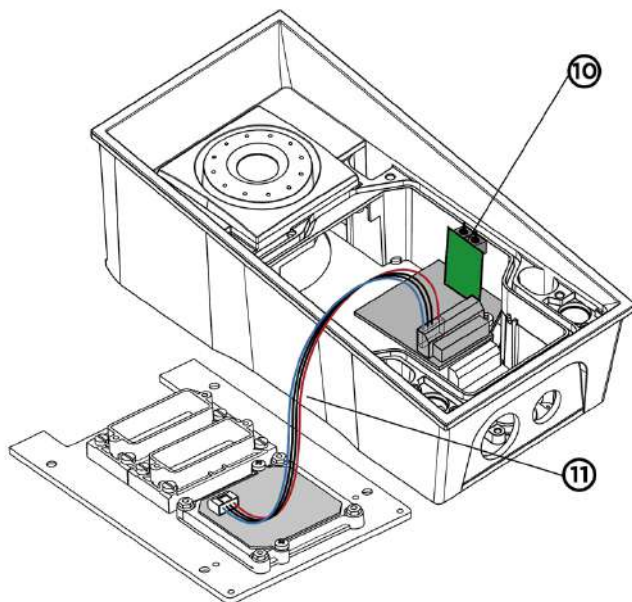
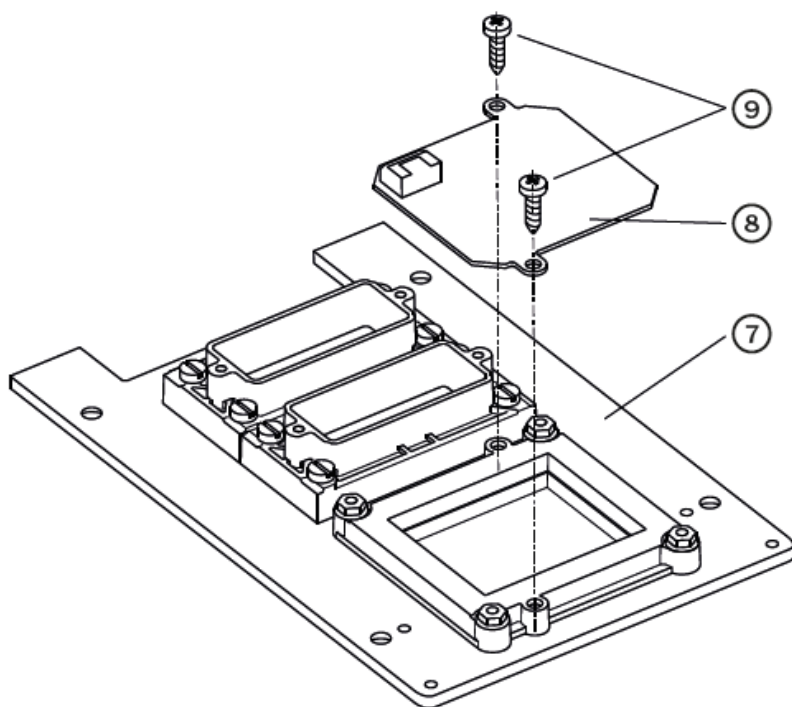
- Off/Input/Output (as programmed)

Mounting guide:

1. Turn off and disconnect the intercom.
2. Remove the front panel (7) from the intercom.
3. Mount antenna board (8). Use two enclosed self tapping screws (9).
4. Plug enclosed cable (11) to the antenna board connector.
5. Demount a button PCB (1). Don't disconnect its cable!

6. There will stay four spacers after the switch board removal. Dismount the bottom right one.
7. There are two short metal spacers enclosed to the reader. Take a longer one (5), 12 mm long. Screw it into the free hole.
8. Plug an enclosed plastic support (6) to the reader board from the bottom side.
9. Put the reader board (4) in the main board connector making sure that the mounting hole is directly above the spacer.
10. Screw in a remaining metal spacer (3), 10.5 mm long.
11. Fit the button PCB (1) back to its position using original bolts (2).
12. If you want to use the tamper switch (to detect unauthorized opening the case, as a theft protection), insert the tamper board (10) in the connector located in the right-hand bottom part of the reader board (4). As the tamper switch shares the relay output (NO and NC) terminals, you cannot use the RELAY2 output with the tamper switch at the same time.
13. Plug the antenna cable (11) to its connector at the reader board (4).
14. Place front panel back and tighten all four screws.

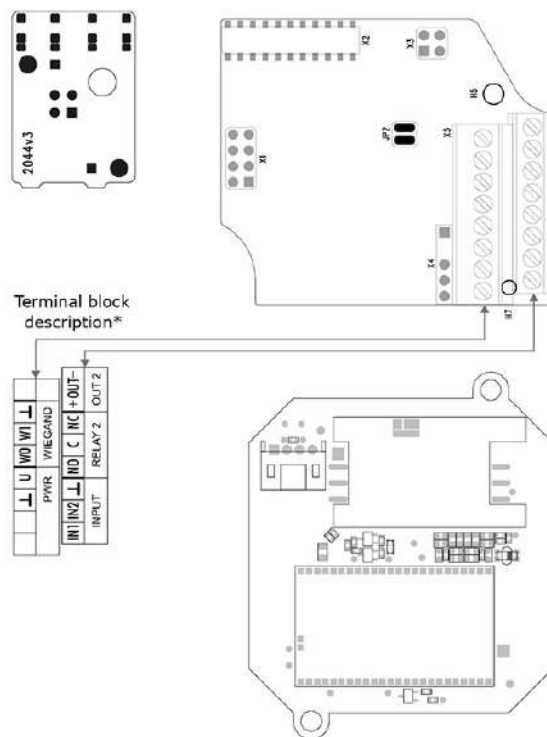




Module setting:

Refer to the Configuration Manual for details of Wiegand, outputs and reader. Refer to the Automation manual for details of input, red LED and tamper function and use.

Connection:



Internal secured RFID Card Reader 13.56 MHz

The **Internal RFID Card Reader 13.56 MHz** (Part No. 9151031S/9151019) is used for reading RFID card IDs in the 13.56 MHz band, NFC supported. This module is intended for mounting into the **2N IP Force** model 9151101RPW, 9151101CHRPW, 9151102RW and 9151102CHRW. These models have an window, which is necessary for antenna operation. If the Internal RFID Card Reader is installed, it is not possible to install the Additional Switch.



9151019



9151031S

Function:

The **2N IP Force** Internal RFID Card Reader adds two logical inputs, two additional switches and a tamper switch to the **2N IP Force** basic unit.

The purpose of the tamper switch is to signal any unauthorised opening of the intercom (to prevent a theft, e.g.). It is recommended to use the tamper switch.

✓ Tip

- FAQ: [Tamper switch – How to install it into the 2N IP Force](#)

Specifications:

Card reader

- Operating frequency: 13.56 MHz
- Minimum reading distance: 30 mm above **2N IP Force** cover
- **RFID card reader 9151031S** is compatible with cards (optionally card serial number or PAC ID is read):
 - ISO14443A (MIFARE DESFire)
 - PicoPass (HID iClass)
 - FeliCa

- ST SR(IX)
- 2N Mobile Key
- HID SE (Seos, iClass SE, MIFARE SE)
- **RFID card reader 9151019** is compatible with cards (optionally card serial number or PAC ID is read):
 - ISO14443A (MIFARE DESFire)
 - PicoPass (HID iClass)
 - FeliCa
 - ST SR(IX)
 - 2N Mobile Key
 - HID SE (Seos, iClass SE, MIFARE SE)

Relay output

- Switching contact
- 30 V / 2 A AC/DC

Active output

- 9 to 12 V / 700 mA transistor switched output. Depends on power supply (PoE: 9 V or power supply voltage minus 1 V).

Logical inputs

Active mode – requires external voltage (JP2 jumper OFF)

- $U_{IN-ON} = \text{min } +2.5 \text{ V}$
- $U_{IN-OFF} = \text{max } +1.5 \text{ V}$
- $U_{IN \text{ max}} = +48 \text{ V}$
- $I_{IN} (U_{IN} +48 \text{ V}) = \text{max } 1 \text{ mA}$

Passive mode – requires external contact only (JP2 jumper ON)

- $U_{IN1} = \text{approx. } 8.3 \text{ V}$
- $U_{IN2} = \text{approx. } 8.3 \text{ V}$
- $I_{LOOP} = \text{approx. } 0.5 \text{ mA}$

Signalling output

- Internal red LED under reader window

PWR

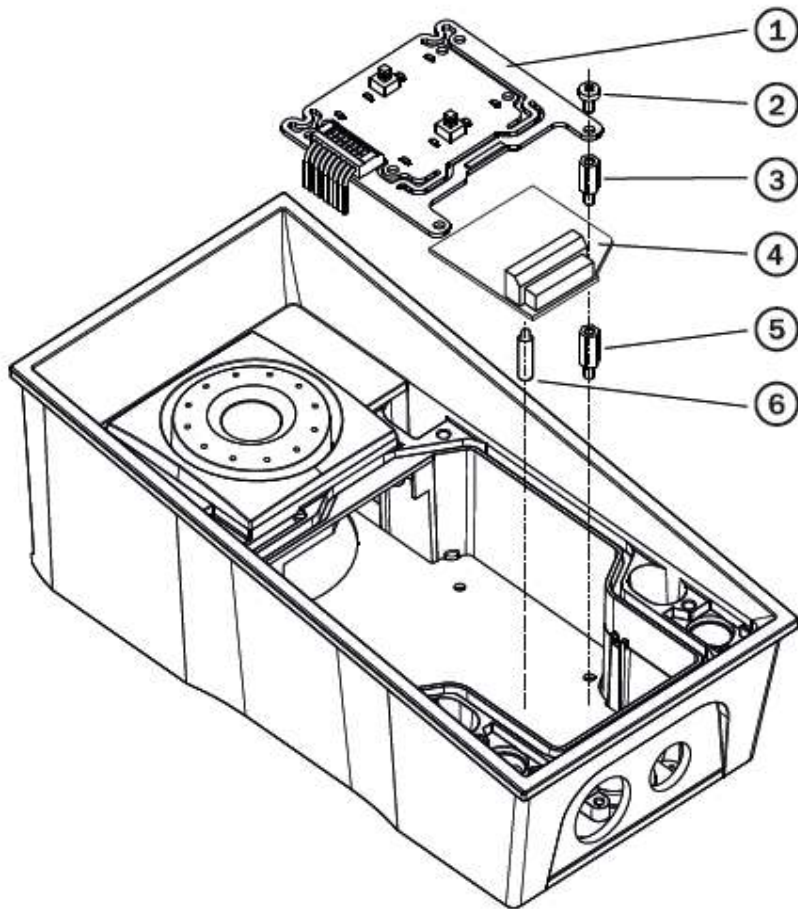
- For external RFID card reader
- Out: 9 to 12 V / 350 mA depends on power supply

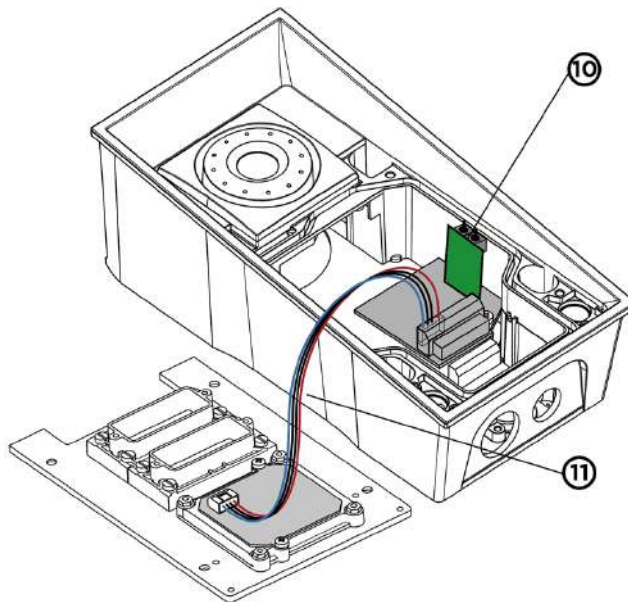
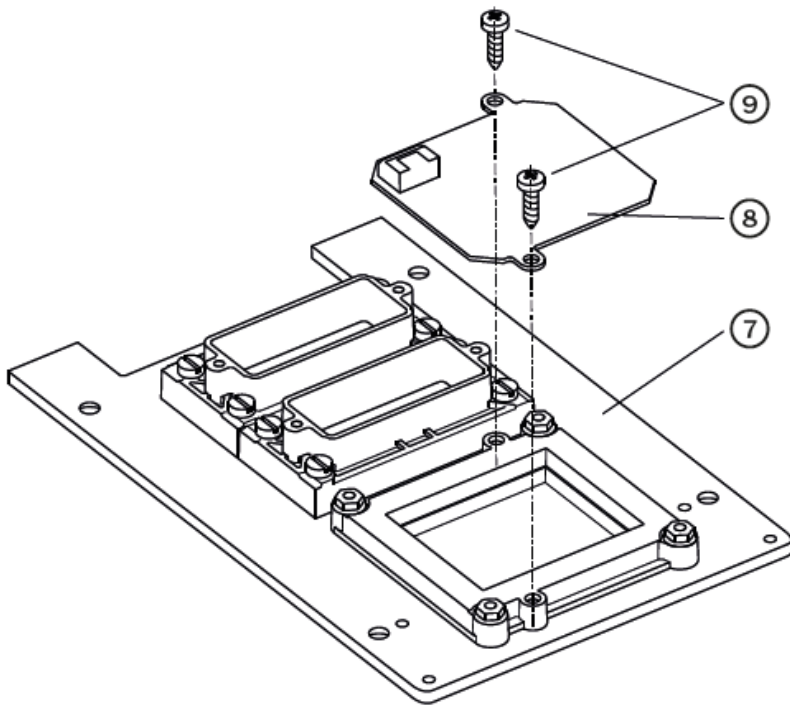
WIEGAND interface

- Off/Input/Output (as programmed)

Mounting guide:

1. Turn off and disconnect the intercom.
2. Remove the front panel (7) from the intercom.
3. Mount antenna board (8). Use two enclosed self tapping screws (9).
4. Plug enclosed cable (11) to the antenna board connector.
5. Demount a button PCB (1). Don't disconnect its cable!
6. There will stay four spacers after the switch board removal. Dismount the bottom right one.
7. There are two short metal spacers enclosed to the reader. Take a longer one (5), 12 mm long. Screw it into the free hole.
8. Plug an enclosed plastic support (6) to the reader board from the bottom side.
9. Put the reader board (4) in the main board connector making sure that the mounting hole is directly above the spacer.
10. Screw in a remaining metal spacer (3), 10.5 mm long.
11. Fit the button PCB (1) back to its position using original bolts (2).
12. If you want to use the tamper switch (to detect unauthorized opening the case, as a theft protection), insert the tamper board (10) in the connector located in the right-hand bottom part of the reader board (4). As the tamper switch shares the relay output (NO and NC) terminals, you cannot use the RELAY2 output with the tamper switch at the same time.
13. Plug the antenna cable (11) to its connector at the reader board (4).
14. Place front panel back and tighten all four screws.

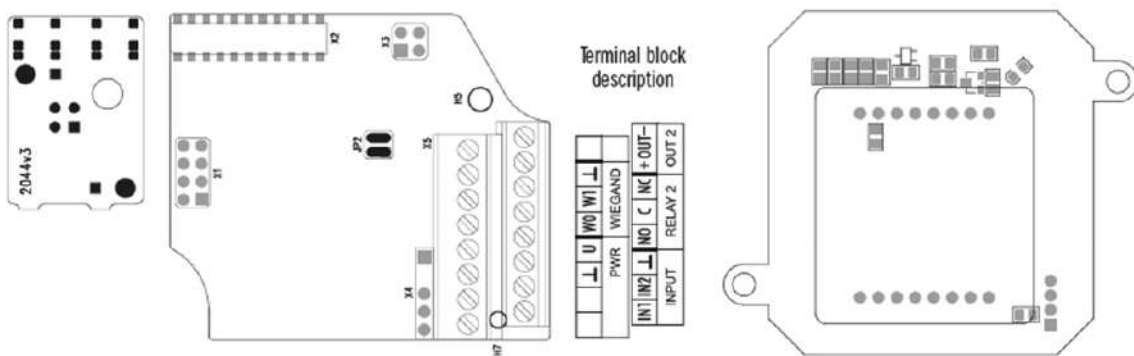




Module setting:

Refer to the Configuration Manual for details of Wiegand, outputs and reader. Refer to the Automation manual for details of input, red LED and tamper function and use.

Connection:



Function:

The **2N IP Force** Internal RFID Card Reader adds two logical inputs, two additional switches and a tamper switch to the **2N IP Force** basic unit.

The purpose of the tamper switch is to signal any unauthorised opening of the intercom (to prevent a theft, e.g.). It is recommended to use the tamper switch.

Tip

- [FAQ: Tamper switch - How to install it into the 2N IP Force](#)

Specifications:

Card reader

- Compatible with:
 - EM4x02 (EMarine)
 - NXP HiTag2
- Operating frequency: 125 KHz
- Minimum reading distance: 30 mm above **2N IP Force** cover

Relay output

- NO contact max. 30 V / 1 A AC/DC

Active output

- 8 to 13.8 V DC, depends on power supply (PoE: 11.6 V; adapter: power supply voltage -0.4 V), max 400 mA

Logical inputs

Active mode – requires external voltage (jumper JP1 for IN1, pins 3–4 are open, jumper JP1 for IN2, pins 1–2 are open)

- $U_{IN-ON} = \text{min } +2.5 \text{ V}$
- $U_{IN-OFF} = \text{max } +1.5 \text{ V}$
- $U_{IN \text{ max}} = +48 \text{ V}$
- $I_{IN} (U_{IN} +48 \text{ V}) = \text{max } 1 \text{ mA}$

Passive mode – requires external contact only (jumper JP1 for IN1, pins 3–4 are open, jumper JP1 for IN2, pins 1–2 are open)

- $U_{IN1} = \text{approx. } 8.3 \text{ V}$
- $U_{IN2} = \text{approx. } 8.3 \text{ V}$
- $I_{LOOP} = \text{approx. } 0.5 \text{ mA}$

Signalling output

- Internal LED under reader window

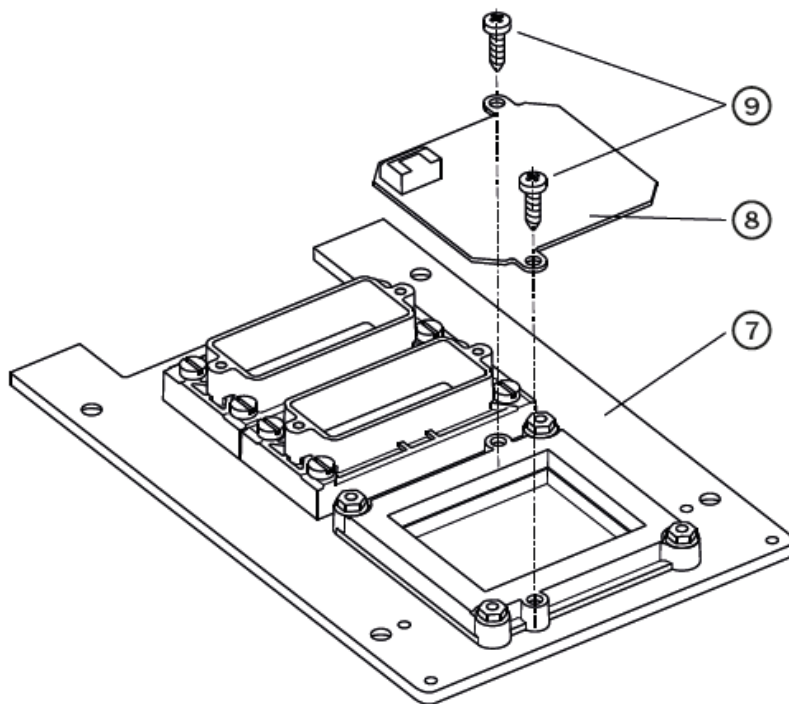
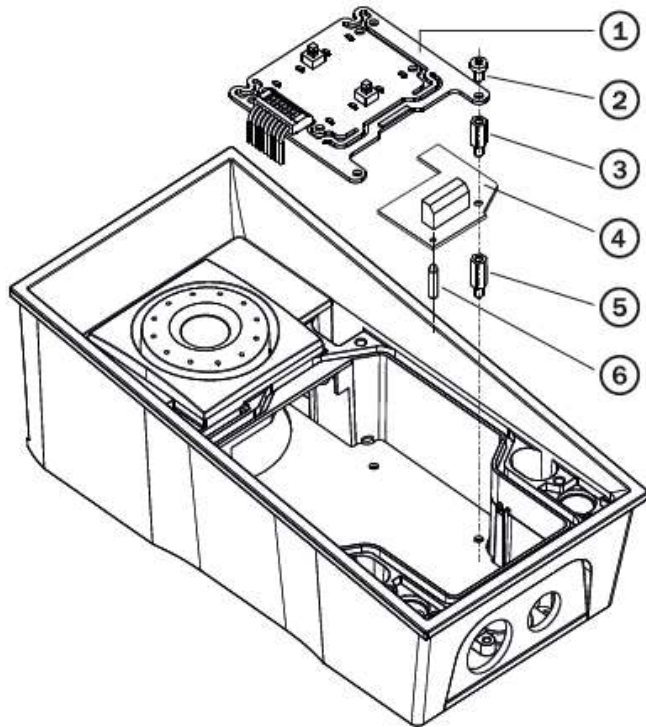
OSDP interface

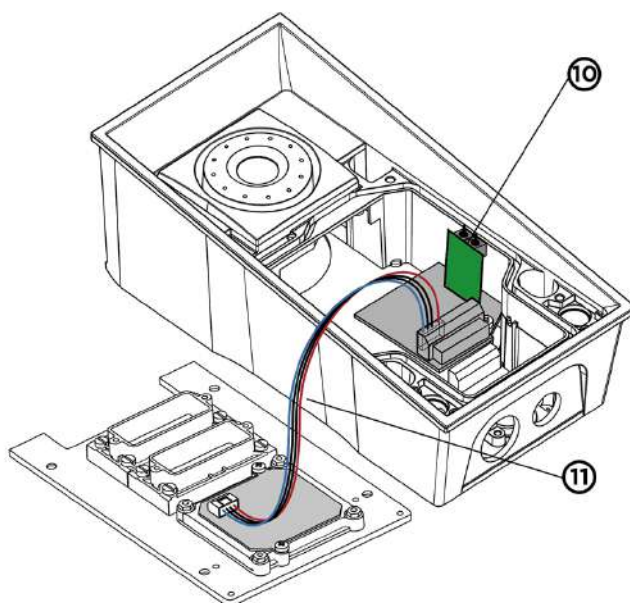
- Off/Input/Output (as programmed)

Mounting guide:

1. Turn off and disconnect the intercom.
2. Remove the front panel (7) from the intercom.
3. Mount antenna board (8). Use two enclosed self tapping screws (9).
4. Plug enclosed cable (11) to the antenna board connector.
5. Demount a button PCB (1). Don't disconnect its cable!
6. There will stay four spacers after the switch board removal. Dismount the bottom right one.
7. There are two short metal spacers enclosed to the reader. Take a longer one (5), 12 mm long. Screw it into the free hole.
8. Plug an enclosed plastic support (6) to the reader board from the bottom side.

9. Put the reader board (4) in the main board connector making sure that the mounting hole is directly above the spacer.
10. Screw in a remaining metal spacer (3), 10.5 mm long.
11. Fit the button PCB (1) back to its position using original bolts (2).
12. If you want to use the tamper switch (to detect unauthorized opening the case, as a theft protection), insert the tamper board (10) in the connector located in the right-hand bottom part of the reader board (4). As the tamper switch shares the relay output (NO and NC) terminals, you cannot use the RELAY2 output with the tamper switch at the same time.
13. Plug the antenna cable (11) to its connector at the reader board (4).
14. Place front panel back and tighten all four screws.





2N IP Force RFID 13.56MHz, NFC, OSDP

The **Internal RFID Card Reader 13.56 MHz, NFC, OSDP** (Part No. 9151023) is used for reading RFID card Ids in the 13.56 MHz band, NFC supported, and provides communication between a connected device (control panel, door controller) and **2N IP Force** via the OSDP. This module is intended for mounting into the **2N IP Force** model 9151102CR, 9151102R, 9151101CRP and 9151101RP. These models have an window, which is necessary for antenna operation. If the Internal RFID Card Reader is installed, it is not possible to install the Additional Switch.

Function:

The **2N IP Force** Internal RFID Card Reader adds two logical inputs, two additional switches and a tamper switch to the **2N IP Force** basic unit.

The purpose of the tamper switch is to signal any unauthorised opening of the intercom (to prevent a theft, e.g.). It is recommended to use the tamper switch.

✓ Tip

- FAQ: [Tamper switch - How to install it into the 2N IP Force](#)

Specifications:

Card reader

- Compatible with:
 - **ISO14443A:** MIFARE Classic, MIFARE Plus, MIFARE Mini, MIFARE Ultralight, MIFARE DESFire (CSN only)
 - **PicoPass:** HID iClass CSN, Picopass
 - **ISO 18092:** Sony FeliCa, Sony FeliCa Lite
 - **ST SR:** SR, SRI, SRIX
 - **2N Mobile Key**
 - **2N PICard**
- Operating frequency: 13.56 MHz
- Minimum reading distance: 30 mm above **2N IP Force** cover

Relay output

- NO contact max. 30 V / 1 A AC/DC

Active output

- 8 to 13.8 V DC, depends on power supply (PoE: 11.6 V; adapter: power supply voltage -0.4 V), max 400 mA

Logical inputs

Active mode – requires external voltage (jumper JP1 for IN1, pins 3–4 are open, jumper JP1 for IN2, pins 1–2 are open)

- $U_{IN-ON} = \text{min } +2.5 \text{ V}$
- $U_{IN-OFF} = \text{max } +1.5 \text{ V}$
- $U_{IN \text{ max}} = +48 \text{ V}$
- $I_{IN} (U_{IN} +48 \text{ V}) = \text{max } 1 \text{ mA}$

Passive mode – requires external contact only (jumper JP1 for IN1, pins 3–4 are open, jumper JP1 for IN2, pins 1–2 are open)

- $U_{IN1} = \text{approx. } 8.3 \text{ V}$
- $U_{IN2} = \text{approx. } 8.3 \text{ V}$
- $I_{LOOP} = \text{approx. } 0.5 \text{ mA}$

Signalling output

- Internal LED under reader window

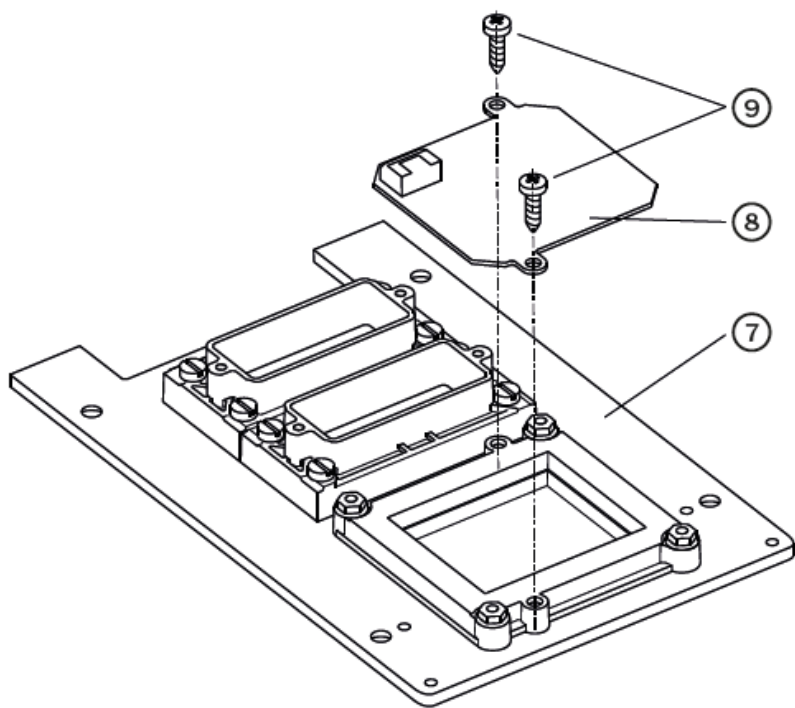
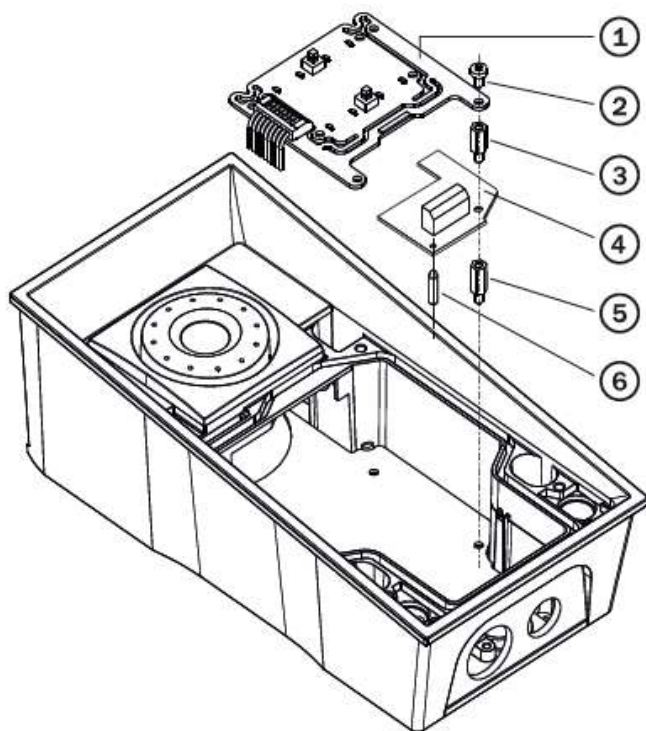
OSDP interface

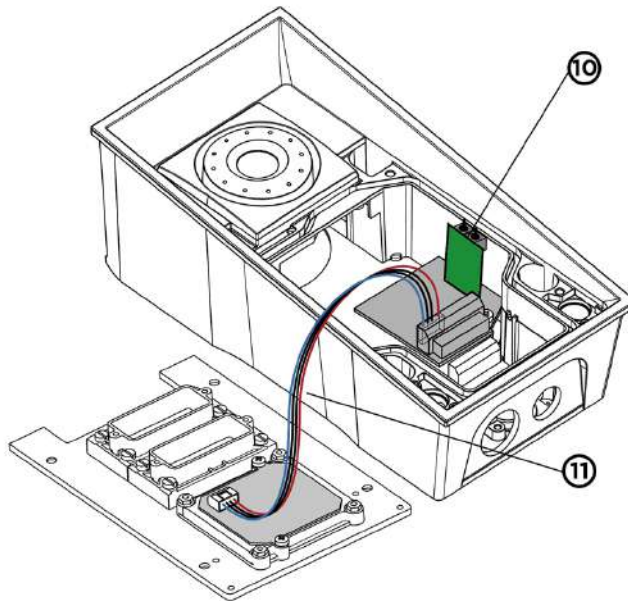
- **Off/Input/Output (as programmed)**

Mounting guide:

1. Turn off and disconnect the intercom.
2. Remove the front panel (7) from the intercom.
3. Mount antenna board (8). Use two enclosed self tapping screws (9).
4. Plug enclosed cable (11) to the antenna board connector.
5. Demount a button PCB (1). Don't disconnect its cable!
6. There will stay four spacers after the switch board removal. Dismount the bottom right one.
7. There are two short metal spacers enclosed to the reader. Take a longer one (5), 12 mm long. Screw it into the free hole.
8. Plug an enclosed plastic support (6) to the reader board from the bottom side.

9. Put the reader board (4) in the main board connector making sure that the mounting hole is directly above the spacer.
10. Screw in a remaining metal spacer (3), 10.5 mm long.
11. Fit the button PCB (1) back to its position using original bolts (2).
12. If you want to use the tamper switch (to detect unauthorized opening the case, as a theft protection), insert the tamper board (10) in the connector located in the right-hand bottom part of the reader board (4). As the tamper switch shares the relay output (NO and NC) terminals, you cannot use the RELAY2 output with the tamper switch at the same time.
13. Plug the antenna cable (11) to its connector at the reader board (4).
14. Place front panel back and tighten all four screws.





2N IP Force RFID 13.56MHz secured, NFC, OSDP

The **Internal RFID Card Reader 13.56MHz secured, NFC, OSDP** (Part No. 9151023) is used for reading RFID card Ids in the 13.56 MHz band, NFC supported, and provides communication between a connected device (control panel, door controller) and **2N IP Force** via the OSDP. This module is intended for mounting into the **2N IP Force** model 9151102CR, 9151102R, 9151101CRP and 9151101RP. These models have an window, which is necessary for antenna operation. If the Internal RFID Card Reader is installed, it is not possible to install the Additional Switch.

Function:

The **2N IP Force** Internal RFID Card Reader adds two logical inputs, two additional switches and a tamper switch to the **2N IP Force** basic unit.

The purpose of the tamper switch is to signal any unauthorised opening of the intercom (to prevent a theft, e.g.). It is recommended to use the tamper switch.

✓ Tip

- FAQ: [Tamper switch - How to install it into the 2N IP Force](#)

Specifications:

Card reader

- Compatible with:
 - **ISO14443A** (MIFARE Classic, MIFARE Plus, MIFARE Mini, MIFARE Ultralight, MIFARE DESFire CSN only)
 - **PicoPass** (HID iClass CSN, Picopass)
 - **ISO 18092** (Sony FeliCa, Sony FeliCa Lite)
 - **ST SR** (SR, SRI, SRIX)
 - **HID iClass Pac** (HID Seos, HID iClass SE, MIFARE SE)
 - **2N Mobile Key / My2N app**
 - **2N PICard**
- Operating frequency: 13.56 MHz
- Minimum reading distance: 30 mm above **2N IP Force** cover

Relay output

- NO contact max. 30 V / 1 A AC/DC

Active output

- 8 to 13.8 V DC, depends on power supply (PoE: 11.6 V; adapter: power supply voltage -0.4 V), max 400 mA

Logical inputs

Active mode – requires external voltage (jumper JP1 for IN1, pins 3–4 are open, jumper JP1 for IN2, pins 1–2 are open)

- $U_{IN-ON} = \text{min } +2.5 \text{ V}$
- $U_{IN-OFF} = \text{max } +1.5 \text{ V}$
- $U_{IN \text{ max}} = +48 \text{ V}$
- $I_{IN} (U_{IN} +48 \text{ V}) = \text{max } 1 \text{ mA}$

Passive mode – requires external contact only (jumper JP1 for IN1, pins 3–4 are open, jumper JP1 for IN2, pins 1–2 are open)

- $U_{IN1} = \text{approx. } 8.3 \text{ V}$
- $U_{IN2} = \text{approx. } 8.3 \text{ V}$
- $I_{LOOP} = \text{approx. } 0.5 \text{ mA}$

Signalling output

- Internal LED under reader window

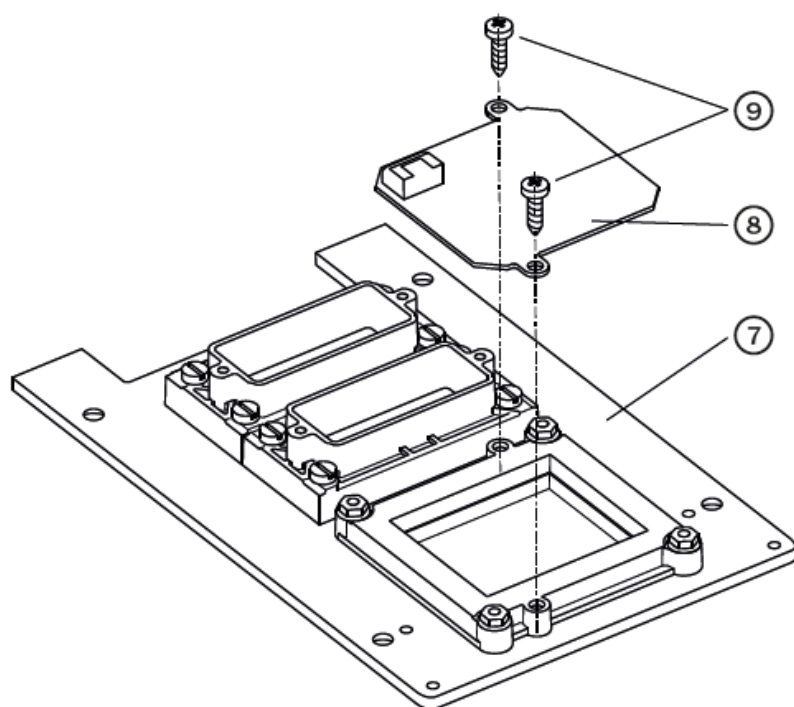
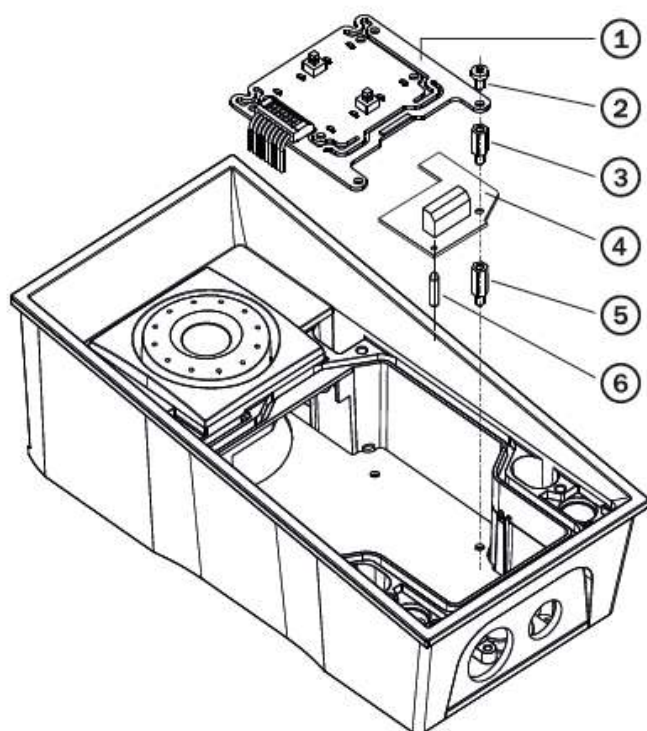
OSDP interface

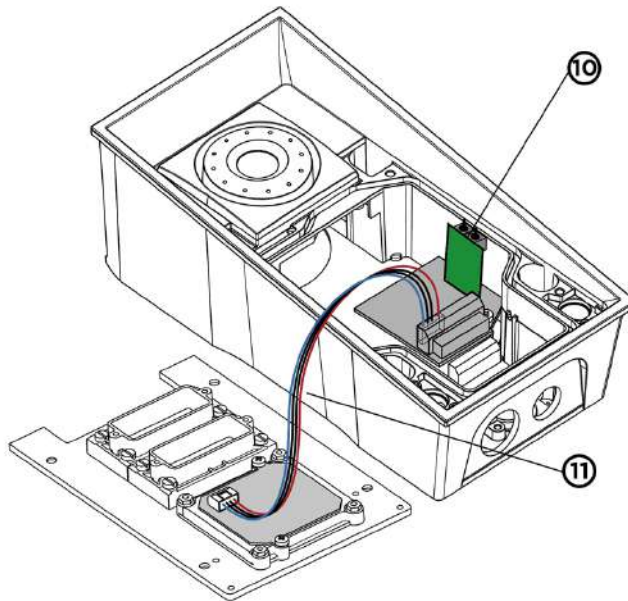
- Off/Input/Output (as programmed)

Mounting guide:

1. Turn off and disconnect the intercom.
2. Remove the front panel (7) from the intercom.
3. Mount antenna board (8). Use two enclosed self tapping screws (9).
4. Plug enclosed cable (11) to the antenna board connector.
5. Demount a button PCB (1). Don't disconnect its cable!
6. There will stay four spacers after the switch board removal. Dismount the bottom right one.
7. There are two short metal spacers enclosed to the reader. Take a longer one (5), 12 mm long. Screw it into the free hole.
8. Plug an enclosed plastic support (6) to the reader board from the bottom side.

9. Put the reader board (4) in the main board connector making sure that the mounting hole is directly above the spacer.
10. Screw in a remaining metal spacer (3), 10.5 mm long.
11. Fit the button PCB (1) back to its position using original bolts (2).
12. If you want to use the tamper switch (to detect unauthorized opening the case, as a theft protection), insert the tamper board (10) in the connector located in the right-hand bottom part of the reader board (4). As the tamper switch shares the relay output (NO and NC) terminals, you cannot use the RELAY2 output with the tamper switch at the same time.
13. Plug the antenna cable (11) to its connector at the reader board (4).
14. Place front panel back and tighten all four screws.





Security Relay

The **2N Security Relay** (Part No. 9159010) is used for enhancing security between the intercom and the connected electric lock. The **2N IP Security Relay** is designed for any **2N IP** intercom model with firmware versions 1.15 and higher. It significantly enhances security of the connected electric lock as it prevents lock opening by forced intercom tampering.



Function:

The **2N Security Relay** is a device installed between an intercom (outside the secured area) and the electric lock (inside the secured area). The **2N Security Relay** includes a relay that can only be activated if the valid opening code is received from the intercom.

Specifications:

Passive switch: NO and NC contacts, up to 30 V / 1 A AC/DC

Switched output:

- Where the security relay is fed from the intercom, 9 to 13 V DC is available on the output depending on the power supply (PoE: 9 V; adapter: source voltage of minus 1 V) / 400 mA DC.
- Where the security relay is fed from an external power supply, 12 V / 700 mA DC is available on the output.

Dimensions: 56 x 31 x 24 mm / 66.5 x 32.5 x 20.5 mm

Weight: 20 g / 24 g

Installation:

Install the **2N Security Relay** onto a two-wire cable between the intercom and the electric lock inside the area to be secured (typically behind the door). The device is powered and controlled via this two-wire cable and so can be added to an existing installation. Thanks to its compact dimensions, the device can be installed into a standard mounting box.

The Security relay is designed with holes for surface anchoring. It is recommended that a screw of the diameter of 3 mm with a lens head of the diameter of 6 mm is used. Using a countersunk head may cause irreversible damage to the plastic cover!

Connection:

Connect the **2N Security Relay** to the intercom as follows:

- To the intercom active output (OUT1 or OUT2 if a reader module or additional switch is connected)

Connect the electric lock to the **2N Security Relay** output as follows:

- To the switched output.
- To the passive output in series with the external power supply.

The device also supports a Departure button connected between the 'PB' and '- HeliosIP/IP intercom' terminals. Press the Departure button to activate the output for 5 seconds.

Status signalling:

Green LED	Red LED	Status
blinking	off	Operational mode

Green LED	Red LED	Status
on	off	Activated output
blinking	blinking	Programming mode – waiting for initialisation
on	blinking	Error – wrong code received

Configuration:

- Connect the **2N Security Relay** to the properly set intercom switch output; refer to the Configuration Manual. Make sure that one LED at least on the **2N Security Relay** is on or blinking.
- Press and hold the **2N Security Relay** Reset button for 5 seconds to put the device in the programming mode (both the red and green LEDs are blinking).
- Activate the intercom switch using the keypad, telephone, etc. The first code sent from the intercom will be stored in the memory and considered valid. After code initialisation, the **2N Security Relay** will pass into the operational mode (the green LED is blinking).

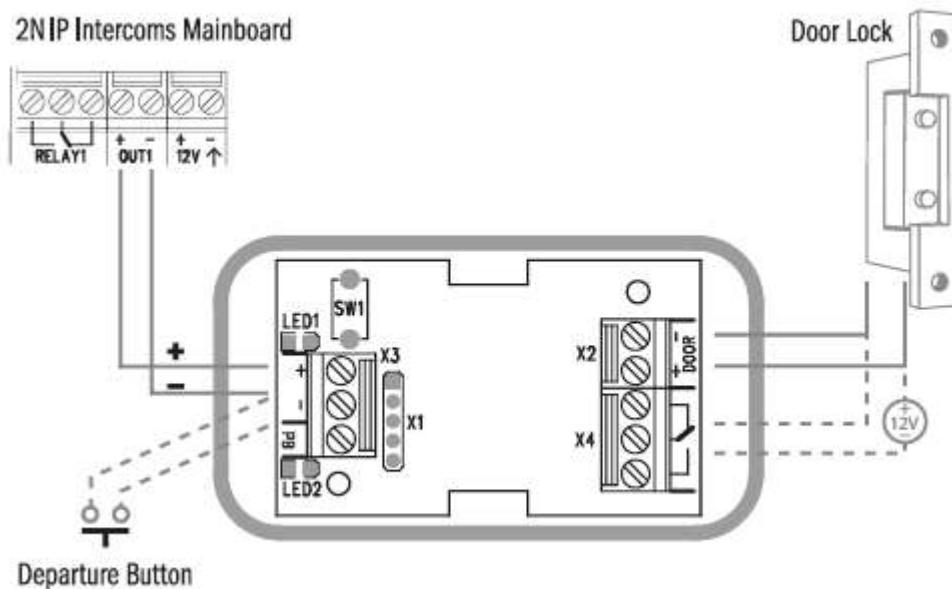
⚠ Caution

- In case of resetting the factory default settings on a device with a version of firmware 2.18 or higher it is necessary to reprogram the **2N Security Relay** using the instructions above.

✓ Tip

- [FAQ: 2N Security Relay – what it is and how to use it with 2N IP intercom?](#)

Connection:



✓ Tip

Video Tutorial: [Security Relay Installation and Configuration](#)

Wiegand Isolator

The **2N Wiegand Isolator** (Part No. 9159011) is used for galvanic isolation of the Wiegand bus.

The **2N Wiegand Isolator** is designed for galvanic isolation of two devices with separate power supply and interconnected via the Wiegand bus. The **2N Wiegand Isolator** protects the interconnected devices against communication errors and/or damage.

Connection of the **2N IP** intercoms Card Reader to a security system unit is a typical example of application.



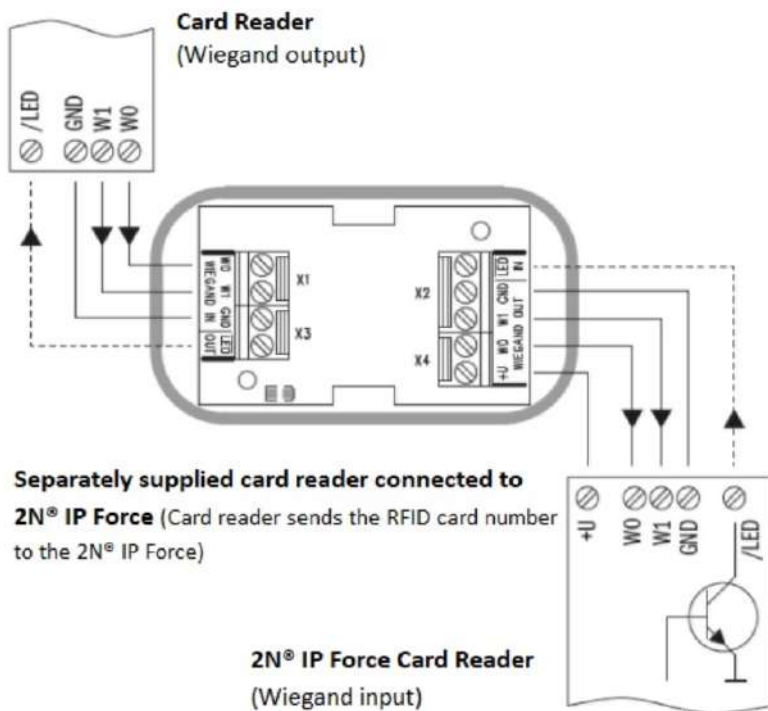
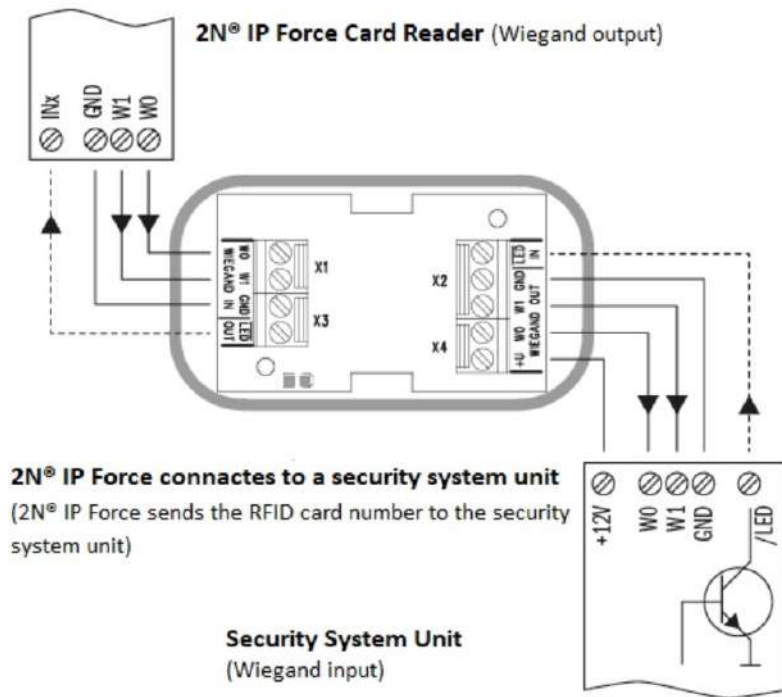
Function:

The **2N Wiegand Isolator** separates galvanically a two-wire Wiegand bus in one direction and a status LED signal in the other direction. The module is power supplied from the Wiegand bus receiver side.

Specifications:

- 2-wire WIEGAND IN
- 2-wire WIEGAND OUT
- LED IN switched against GND on WIEGAND OUT side
- Open LED OUT switched against GND on WIEGAND IN side (up to 24 V / 50 mA)
- 5 to 16 V / 10 mA power supply from Wiegand bus receiver side
- 500 V DC isolation strength

Connection:



Induction Loop external

2N Induction Loop (Part No. 9159050 – Induction loop amplifier for **2N IP** intercom, Part No. 9159054 – Induction loop amplifier without **2N IP** intercom accessory, Part No. 9159052 – 12 V DC power adapter) is part of sound system installations for hearing impaired persons that are equipped with a special hearing aid capable of receiving reproduced sound via a magnetic field receiver. The system is defined by the IEC 60118-4 standard.

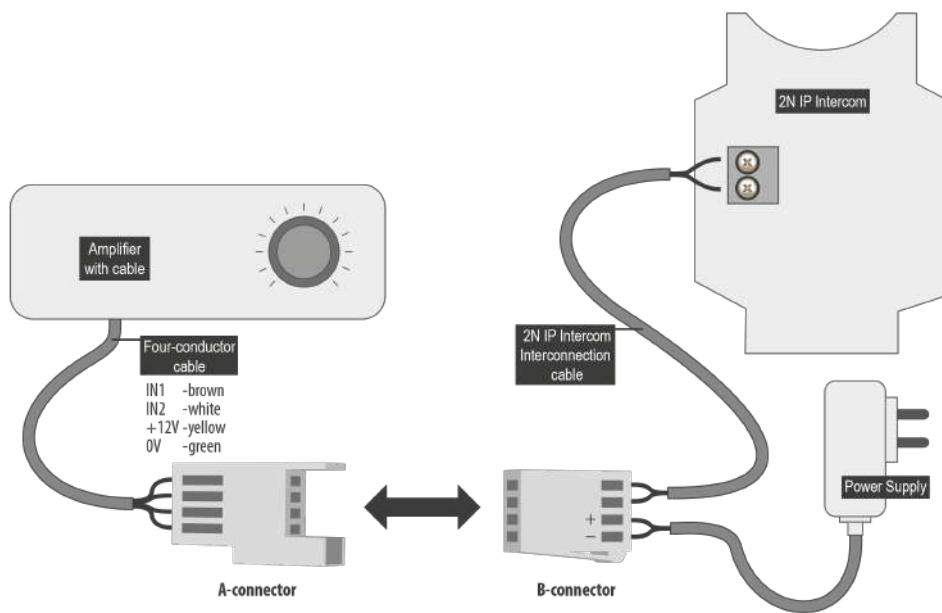
Installation:

The induction loop amplifier can be wall mounted with the use of an internal induction loop where a signal covering is requested. Outdoor use is possible thanks to the IP65 covering. A four-wire cable of the length of one meter is mounted to the supplied product for easier connection to the intercom. In the cable are two wires for 12 V DC supply and two wires for signal input, the wires are connected into interconnection connector. If you shorten the cable, follow the colour marking.

Before wall mounting run the cable through the hole that you have prepared. Then mark two mounting holes on the wall, through the amplifier front. Remove the amplifier and drill the mounting holes. Use the plugs and screws included in the delivery. Use a drill of the diameter of 6 mm. After fastening, cover the screws with the blanks supplied.

Use the supplied connectors to connect the amplifier to the intercom and power supply. The A connector is connected to the amplifier four-wire cable. Insert a special intercom-connecting cable supplied with the amplifier and 12 V power supply outlets to the B connector. Connect the special cable to the intercom and connect the power supply to the mains. You can place the mated A and B connectors into the 2N IP intercom cover. The connectors help you connect stripped cables. Open the connector by pushing a thin screwdriver onto the white spots at its front and close the connector by sliding the movable part through a side gap.

Finally, test the amplifier function using a suitable receiver for hearing impaired persons or magnetic field communication tester. No other settings are required.



Specifications:

- Supply voltage: 8 18 V DC
- Supply current at 12 V supply:
 - standby; up to 10 mA
 - no signal; 100 mA
 - 8 Ω load, half power output; 550 mA, sine wave signal; 400 mA, pink noise signal
 - 1 Ω load, full power output; 1.4 A, sine wave signal; 1 A, pink noise signal
- Transition to standby w/o signal: 10 s
- Input level - basic: 100 mV – 6 V_{rms}
- Input level - increased: 1 V – 35 V_{rms}
- Input impedance: 2 k Ω parallel with 0.3 H
- Output current, 1 Ω load: 2.2 A_{rms} (sine wave)
- Full power output: 1.6 A_{rms} (pink noise)
- Output current, 8 Ω load: 730 mA_{rms} sine wave signal
- Half power output: 520 mA_{rms} pink noise signal
- Output short-circuit resistance: unlimited time
- Frequency characteristics: 100 Hz – 5 KHz \pm 3 dB
- Temperature range: –20 – +50 °C
- Covering: IP65 (with round cable of 5–10 mm diameter)
- Dimensions: 144 x 100 x 31 mm
- Weight: 0.3 kg

Induction Loop internal

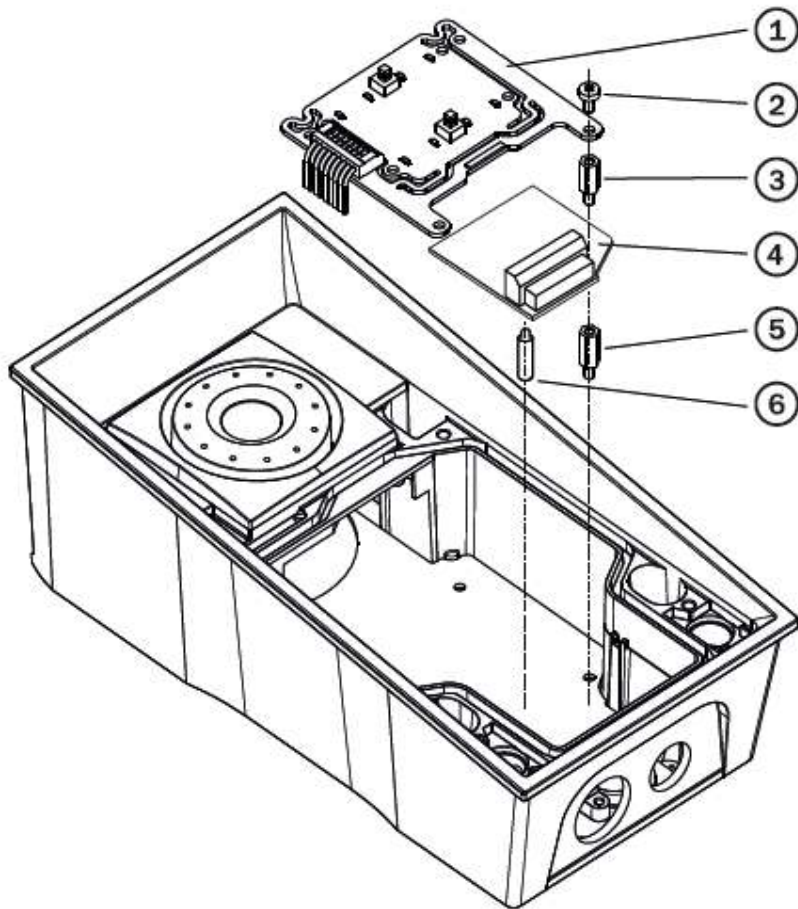
The 2N IP Force Induction Loop (Part No. 9151021) is one of the **2N IP Force** extending modules, used for people with disabled hearing equipped with a special hearing aid that receives reproduced sound via a magnetic field sensor.

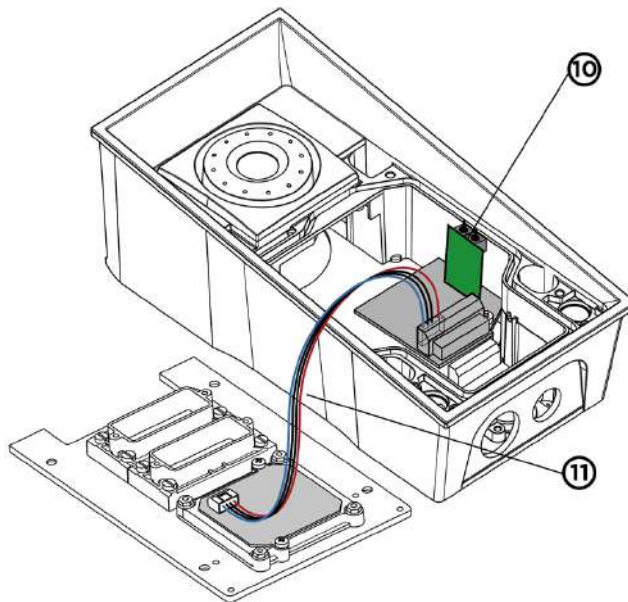
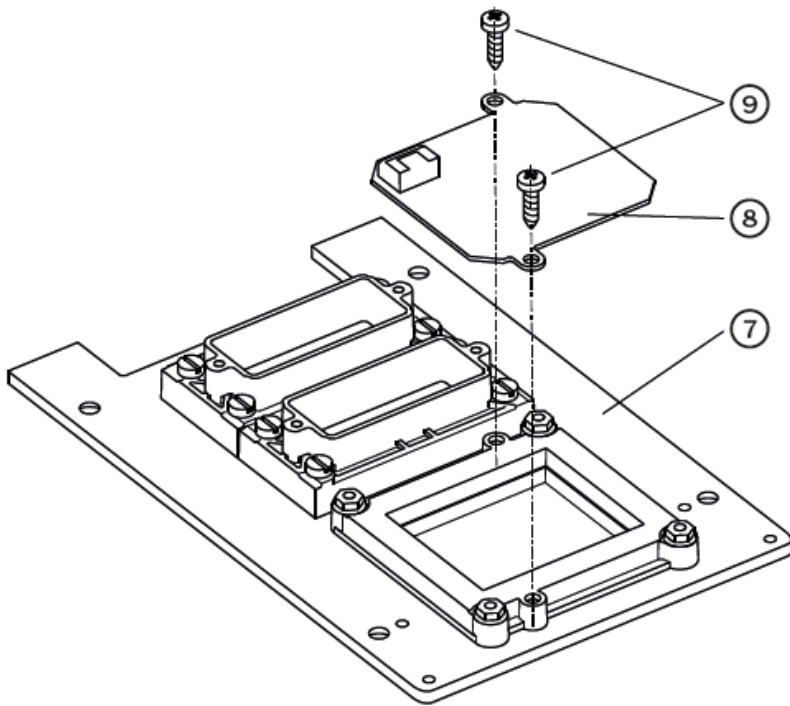
Caution

- The induction loop can be installed into the models with the following part numbers:
 - 9151101RPW
 - 9151101CHRPW
 - 9151102CHRW
 - 9151102RW
- If you use the induction loop, you cannot put an RFID card reader inside the intercom.

Mounting guide:

1. Turn off and disconnect the intercom.
2. Remove the front panel (7) from the intercom.
3. Mount antenna board (8). Use two enclosed self tapping screws (9).
4. Plug enclosed cable (11) to the antenna board connector.
5. Demount a button PCB (1). Don't disconnect its cable!
6. There will stay four spacers after the switch board removal. Dismount the bottom right one.
7. There are two short metal spacers enclosed to the reader. Take a longer one (5), 12 mm long. Screw it into the free hole.
8. Plug an enclosed plastic support (6) to the reader board from the bottom side.
9. Put the reader board (4) in the main board connector making sure that the mounting hole is directly above the spacer.
10. Screw in a remaining metal spacer (3), 10.5 mm long.
11. Fit the button PCB (1) back to its position using original bolts (2).
12. If you want to use the tamper switch (to detect unauthorized opening the case, as a theft protection), insert the tamper board (10) in the connector located in the right-hand bottom part of the reader board (4). As the tamper switch shares the relay output (NO and NC) terminals, you cannot use the RELAY2 output with the tamper switch at the same time.
13. Plug the antenna cable (11) to its connector at the reader board (4).
14. Place front panel back and tighten all four screws.





2.5 Button Tags

Tag Printing

1. Every **2N® IP Force** delivery includes a sheet of translucent foil, which can be laser-printed. Cut the printed foil and insert the tags in the name plates.
2. Every name plate includes a piece of foil, which can be written over manually, using a waterproof permanent marker, if necessary.

 **Note**

- Always use waterproof foil (enclosed or other) for the tags. Never use paper or ink jet printing to avoid damage due to water leakage!

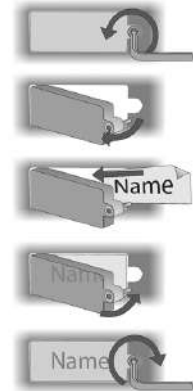
 **Tip**

- A template for printing nametags can be downloaded from www.2n.cz.

Tag Inserting/Replacing Instructions

2N® IP Force provides an intuitive, easy access to the name plates. The tags are easy to insert and replace even without a manual. You need not remove the front panel and thus are not exposed to the risk of loss of components while replacing the tags.

1. Loosen the name plate screw using the wrench enclosed, for example. You can open the name plate window like a door without losing the tightened screw.
2. Remove the used or blank name tag and insert a new tag.
3. Close the name plate window and tighten the screw appropriately.
4. Check the click effect of the buttons: if the button fails to click properly when pressed (when moved by approx. 0.5 mm), the tag is too thick or thin. Make sure that the button clicks when you press it on both ends.



3. Function and Use

In this section we describe the basic and extending functions of the **2N® IP Force** product.

Here is what you can find in this section:

- [3.1 Configuration](#)
- [3.2 Control](#)
- [3.3 Maintenance](#)
- [3.4 Downloads](#)

3.1 Configuration

Use a PC equipped with any web browser to configure **2N® IP Force**:

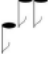
- Launch your web browser (Internet Explorer, Firefox, etc.).
- Enter the IP address of your intercom (<http://192.168.1.100/>, e.g.).
- Log in using the **Admin** user name and **2n** password.

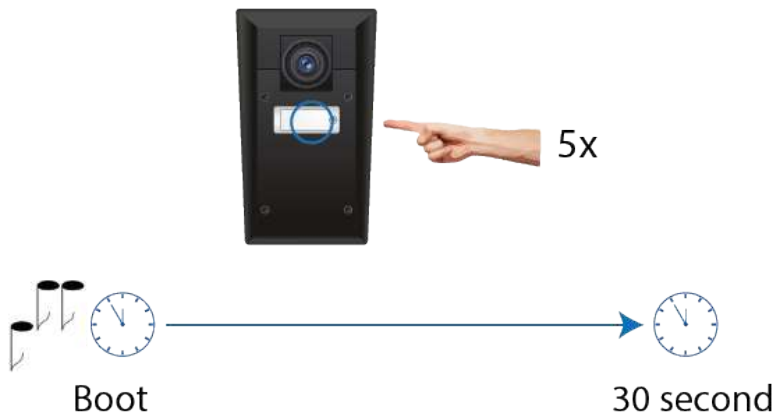
You have to know the IP address of your device to log in to the integrated web server. By default, **2N® IP Force** is switched into the dynamic IP address mode, i.e. it obtains the IP address automatically if a properly set DHCP server is available in your LAN. If no such DHCP server is available, you can operate **2N® IP Force** in the static IP address mode.

If your device remains inaccessible (you have forgotten the IP address, or the LAN configuration has changed, for example), change the LAN settings using the buttons on the device.

IP Address Retrieval

Take the following steps to retrieve the **2N® IP Force** IP address:

- Connect (or, if connected, disconnect and reconnect) **2N® IP Force** to the power supply.
- Wait for the second sound signal .
- Press the first quick dial button 5 times.
- **2N® IP Force** will read its IP address.
- If the address is 0.0.0.0, it means that the intercom has not obtained the IP address from the DHCP server.




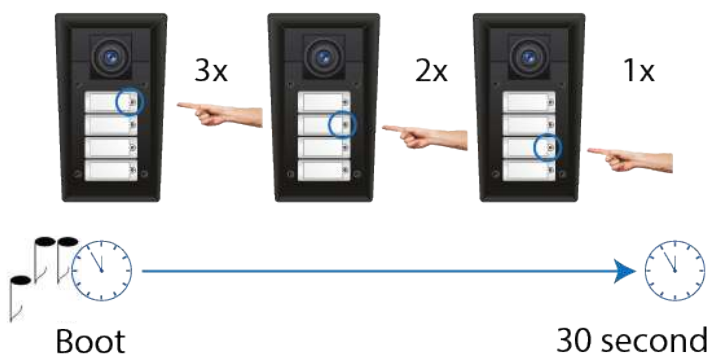
Note


- Be sure to press the button sequence within thirty seconds after the sound signal for security reasons. Up to 2 s intervals are allowed between the presses.

Static IP Address Setting for 4-button models

Follow the instructions below to enable the static IP address mode:

- Connect **2N® IP Force** to the power supply (or, disconnect and reconnect it if already connected).
- Wait for the first acoustic signal .
- Press buttons 1, 1, 1, 2, 2, 3 sequentially.



- The acoustic signal  indicates mode switching.
- Wait until the device is restarted automatically.

⚠ Caution


- The 1, 1, 1, 2, 2, 3 sequence must be entered within 30 seconds after the first sound signal for security reasons. The inter-digit delay may be 2 s at most.

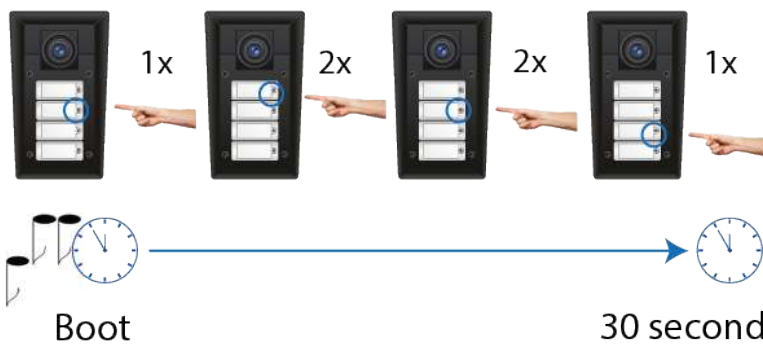
The device will have the following network parameters after restart:


- IP address – 192.168.1.100
- Network mask – 255.255.255.0
- Default gateway – 192.168.1.1

Dynamic IP Address Setting for 4-button models

Follow the instructions below to enable automatic getting of network parameters from the DHCP server:

- Connect **2N® IP Force** to the power supply (or, disconnect and reconnect it if already connected).
- Wait for the first acoustic signal .
- Press buttons 2, 1, 1, 2, 2, 3 sequentially.



- The acoustic signal  indicates mode switching.
- Wait until the device is restarted automatically.



⚠ Caution

- The 2, 1, 1, 2, 2, 3 sequence must be entered within 30 seconds after the first sound signal for security reasons. The inter-digit delay may be 2 s at most.

2N® IP Force gets the IP address upon restart only if the DHCP server is configured properly.

Mode Switching with 1 or 2-Button Models

In case your **2N® IP Force** device is equipped with 1 or 2 buttons, you can switch the modes using one button only.

- Connect **2N® IP Force** to the power supply (or, disconnect and reconnect it if already connected).
- Wait for the first sound signal  .
- Press the quick dial button on the main unit 15 times.
- Network parameter reset and DHCP switch are signaled by the  sound.
- For devices with FW versions 2.33 and lower, wait until the device is automatically restarted.
 - After restart, the static IP address mode is switched into the dynamic IP address and vice versa.
- Simultaneously, all the **System / Network** parameters are reset to default values. This is useful where it is impossible to connect to the device due to wrong VPN configuration, for example.



⚠ Caution

- The 15 times 1 sequence must be entered within 30 seconds after the first sound signal for security reasons. The inter-digit delay may be 2 s at most.

The static IP address mode will be switched into the dynamic IP address mode and vice versa upon restart.

Firmware Upload

We also recommend you to update your intercom firmware upon the first login to the intercom. Use the device web interface in the System > Maintenance > System configuration section for firmware upgrade (see [Configuration manual for 2N IP intercoms](#)). Refer to [2N.com](#) for the latest firmware version. The device restarts automatically after the upgrade is completed successfully. The whole process takes almost one minute.


3.2 Control

This subsection describes how to control **2N® IP Force** when viewed by an external user.

Speed Dial Buttons

Press the speed dial buttons on the basic unit to make quick dialling for the first 1, 2 or 4 positions (depending on the model type) in the telephone directory. Call setup is signalled by a long intermittent tone or otherwise as configured in the PBX connected.

Repeated pressing of one and the same speed dial button during call setup may initiate call termination, or call termination plus dialling the next telephone number of the called subscriber, or may be assigned no function. This behaviour can be set in unit configuration.


If your model is equipped with a numerical keypad, you can also push the  button anytime to terminate a call if enabled so in the **Hang up with #** parameter.

Calling to Telephone Directory Positions

The **2N® IP Force** telephone directory can contain up to 1999 pre-programmed positions. Speed dial can only be used for positions 1 to 4. The remaining positions can be retrieved via the numerical keypad if the **Speed dial using digits** function is enabled in configuration.

Procedure:




- Enter the position number using your numerical keypad (05, 15, 200, 1759 e.g. – two digits at least and four digits at most) and press  for confirmation.

- You can also push the  button anytime to terminate a call if enabled so in the **Hang up with #** parameter in the unit configuration.



Calling to Telephone Number

You can dial a telephone number using your numerical keypad from **2N® IP Force** if the **Enable telephone function** parameter is on.

Procedure:

1. Press the  button.
2. You will hear the continuous tone from the loudspeaker.
3. Enter the telephone number using the numerical keypad and repress  for confirmation.
4. You can also push the  button anytime to terminate a call if enabled so in the **Hang up with #** parameter; refer to the Miscellaneous subsection.



Answering and Rejecting Incoming Calls

If the automatic incoming call answering function is off, **2N® IP Force** signals an incoming call with loud ringing. Push the  button to answer the call and the  to reject the call. This function is available in models equipped with a numerical keypad only.

Door Opening (Switch Activation) by Code

2N® IP Force is equipped with a door lock opening switch. Enter the valid code using your numerical keypad to activate the switch.

Procedure:






- Enter the numerical switch activating code using the numerical keypad and press  for confirmation.
- A successful entering of a valid code is signalled by a continuous tone indicating unlocking (switch activation). An invalid code is signalled acoustically by .

Profile Activation and Deactivation

Activate/deactivate a profile using the numerical keypad in order to define call routing to the telephone directory numbers more specifically.

Procedure:

- Enter the numerical profile activating/deactivating code and press  for confirmation.

- A successful entering of a valid code is signalled acoustically by  ( for profile) for activation, or  ( for profile) for deactivation. An invalid code is signalled acoustically by .

3.3 Maintenance

Cleaning

If used frequently, the device surface, the keypad in particular, gets dirty. To clean it, use a piece of soft cloth moistened with clean water. We recommend you to follow these principles while cleaning:

- Never use aggressive detergents (such as abrasives or strong disinfectants).
- Use suitable cleaning agents for glass lens cleaning (cleaners for glasses, optic devices screens, etc.).
- Alcohol-based cleaners may be applied.
- Clean the device in dry weather in order to make waste water evaporate quickly.
- We recommend using cleaning wipes designed for IT / electronic items.

Warning

- Avoid peroxide-based cleaners.

Tip

- The **2N® IP Force** models of Part No. **9151101W** and **9151101CHW** may be cleaned with WAP high pressure washers.

Future Tag Replacement, Programming Changes

For necessary steps refer to the preceding subsections. Keep the following for future changes:

- This manual
- Unused transparent foil strips for button tags

Caution

- Always use the product for the purpose it was designed and manufactured for, in compliance herewith.
- The manufacturer reserves the right to modify the product in order to improve its qualities.

- **2N® IP Force** contains no environmentally harmful components. When the product's service life is exhausted and you would like to dispose of it please do so in accordance with applicable legal regulations.

3.4 Downloads

Templates

[Nametags](#)

Software

[2N® IP USB driver](#)

[2N® IP Eye](#)

[2N® IP Network Scanner](#)

4. Technical Parameters

Signalling protocol

- **SIP (UDP, TCP, TLS)**

Buttons

- **Button design:** Transparent, white backlit buttons with easily replaceable name tags
- **Count of buttons:** 1, 2 or 4
- **Numerical keypad:** optional

Audio

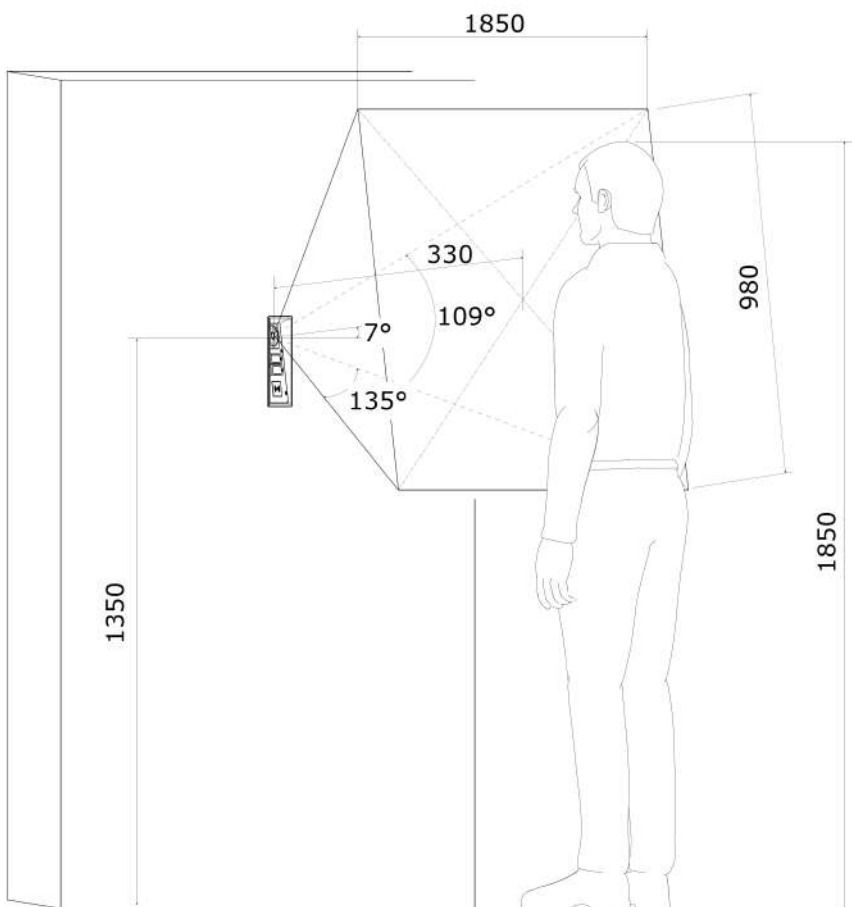
- **Microphone:** 2 integrated microphones
- **Amplifier:** 10 W (class D)
- **Loudspeaker:** 10 W
- **Sound pressure level (SPL max):** 78.5 dB (1 W type, for 1 kHz, distance 1 m)
- **Sound pressure level (SPL max):** 94 dB \pm 3 % (10 W type, for 1 kHz, distance 1 m)
- **Volume control:** Adjustable with automatic adaptive mode
- **Full duplex:** Yes (AEC)
- **Speech transmission index (STI):** 0.80

Audio stream

- **Protocols:** RTP / RTSP
- **Codecs:** G.711, G.729, G.722, L16/16 kHz

Camera HD

- **Sensor:** 1/3" colour CMOS
- **JPEG resolution:** Up to 1280 (H) x 960 (V)
- **Video resolution:** 640 (H) x 480 (V)
- **Frame rate:** Up to 30 snapshots/s
- **Sensor sensitivity:** 5.6 V/lux-sec (550 nm)
- **View angle:** 135° (H), 109° (V)
- **Infrared light:** Yes
- **Sensor sensitivity without IR light:** 0,1 Lux ± 20 %
- **Focal length:** 2.3 mm



Video stream

- **Protocols:** RTP / RTSP / HTTP
- **Video call codecs:** H.264, H.263+, H.263
- **ONVIF/RTSP stream codecs:** H.264, MPEG4, MJPEG
- **IP camera function:** Yes, ONVIF v2.4 profile S compatible

Bandwidth

- **Audio codecs**
 - PCMA, PCMU – 64 kbps (with 85.6 kbps headers)
 - G.729 – 16 kbps (with 29.6 kbps headers)
 - G.722 – 64 kbps (with 85.6 kbps headers)
 - L16 / 16 kHz – 256 kbps (with 277.6 kbps headers)
- **Video codecs**

Set the video codec data flows in the Services / Phone / Video menu for calls and in the Services / Streaming / RTSP menu for streaming. The set transmission rate is the value to which the codec should draw near in a long term average. The data flows can vary depending on the scene to be scanned.

Interface

- **Power supply:** 12 V \pm 15 % / 2 A DC or PoE
- **PoE:** PoE 802.3af (Class 0–12.95 W)
- **LAN:** 10/100BASE-TX s Auto-MDIX, RJ-45
- **Recommended cabling:** Cat-5e or higher
- **Supported protocols:** SIP2.0, DHCP opt. 66, SMTP, 802.1x, RTSP, RTP, TFTP, HTTP, HTTPS, Syslog, ONVIF
- **Passive relay switch:** NO and NC contacts, up to 30 V / 1 A AC/DC
- **Active switch output:** 9 up to 13 V DC depending on power supply (PoE: 9 V; adaptor: power supply voltage minus 1 V), max 600 mA

RFID card reader

- **Optional**
 - Includes besides card reader itself: Wiegand interface, tamper switch, active output, relay, two inputs
- **Supported cards on 125 kHz version, Part No. 9151011**
 - EM4100, EM4102
- **Supported cards on 13.56 MHz version, Part No. 9151016** (only card serial number is read)
 - ISO/IEC 14443A
 - MIFARE Classic 1k & 4k, MIFARE DESFire EV1, Mini, Plus S&X, Ultralight, Ultralight C
 - ISO/IEC 14443B
 - CEPAS, HID iCLASS
 - JIS X 6319
 - Felica
- **Supported cards on 13.56 MHz NFC version, Part No. 9151017** (only card serial number is read)
 - ISO/IEC 14443A
 - MIFARE Classic 1k & 4k, MIFARE DESFire EV1, Mini, Plus S&X, Ultralight, Ultralight C
 - ISO/IEC 14443B
 - CEPAS, HID iCLASS
 - JIS X 6319
 - Felica
 - ISO/IEC 18092
 - SmartPhone with NFC/HCE support, since Android version 4.3

- **Supported cards on secured 13.56 MHz NFC version, Part No. 9151019** (optionally card serial number or PAC ID is read)
 - ISO/IEC 14443A
 - MIFARE Classic 1k & 4k, MIFARE DESFire EV1, Mini, Plus S&X, Ultralight, Ultralight C
 - ISO/IEC 14443B
 - CEPAS, HID iCLASS
 - JIS X 6319
 - Felica
 - ISO/IEC 18092
 - SmartPhone with NFC/HCE support, since Android version 4.3
- **Wiegand Interface:** Input/Output mode, located on RFID card reader module
- **Active switch output:** 9 up to 13 V DC depending on power supply (PoE: 9 V; adaptor: power supply voltage minus 1 V), max 600 mA
- **Passive relay switch:** NO and NC contacts, up to 30 V / 1 A AC/DC

Additional switch

- **Optional:** Includes also one input, active output, relay, tamper switch
- **Active switch output:** 9 up to 13 V DC depending on power supply (PoE: 9 V; adaptor: power supply voltage minus 1 V), max 600 mA
- **Passive relay switch:** NO and NC contacts, up to 30 V / 1 A AC/DC

Mechanical properties

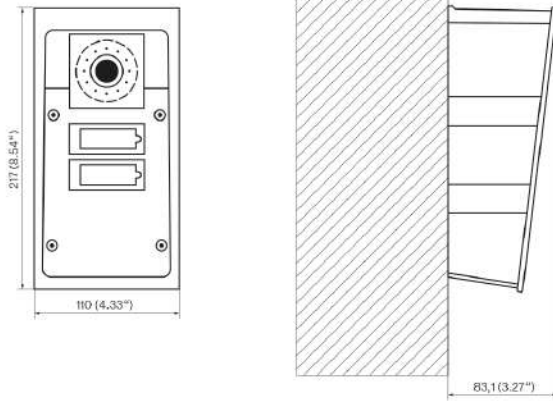
- **Cover:** Robust aluminium cast product, front panel: aluminium cast, fiberglass FR4 (91511xxxR)
- **Colour:** Not from RAL scheme, metallic black, semi-matte
- **Working temperature:** -40 °C to 55 °C
- **Working relative humidity:** 10 % – 95 % (non-condensing)
- **Storing temperature:** -40 °C to 70 °C
- **Dimensions**
 - 217 x 109 x 83 mm
 - 242 x 136 x 83 mm incl. frame
- **Weight:** netto max. 2 kg / brutto max. 2,5 kg
- **Covering level:** IP65, IP69K (91511xxxW), NEMA X4
- **Resistance level:** IK10
- **Recommended altitude:** 0 – 2000 m

UL204 levels

- Attack, Security, Line Security – Level I
- Endurance – Level IV

4.1 General drawings

Surface mounting



5. Supplementary Information

Here is what you can find in this section:

- [5.1 Troubleshooting](#)
- [5.2 Directives, Laws and Regulations](#)
- [5.3 Other Countries' Legislation](#)
- [5.4 General Instructions and Cautions](#)

5.1 Troubleshooting



For the most frequently asked questions refer to faq.2n.cz.

5.2 Directives, Laws and Regulations

2N® IP Force conforms to the following directives and regulations:

- 2014/53/EU for radio equipment
- 2011/65/EU on the restriction of the use of certain hazardous substances in electrical and electronic equipment
- 2012/19/EU on waste electrical and electronic equipment

Industry Canada

This Class B digital apparatus complies with Canadian ICES-003/NMB-003.

FCC

This equipment has been tested and found to comply with the limits for a Class B digital device, pursuant to part 15 of the FCC Rules.

NOTE: These limits are designed to provide reasonable protection against harmful interference in a residential installation. This equipment generates, uses and can radiate radio frequency energy and, if not installed and used in accordance with the instructions, may cause harmful interference to radio communications.

However, there is no guarantee that interference will not occur in a particular installation. If this equipment does cause harmful interference to radio or television reception, which can be determined by turning the equipment off and on, the user is encouraged to try to correct the interference by one or more of the following measures:

- Reorient or relocate the receiving antenna
- Increase the separation between the equipment and receiver
- Connect the equipment into an outlet on a circuit different from that to which the receiver is connected
- Consult the dealer or an experienced radio/TV technician for help

Changes or modifications to this unit not expressly approved by the party responsible for compliance could void the user's authority to operate this equipment.

DDA compliance:

2N TELEKOMUNIKACE intercoms comply with the Disability Discrimination Act 2005 (DDA) under the following conditions:

1. The intercoms are mounted so that their lower edge is between 100 and 120 centimeters above the floor.
2. The intercoms use a keyboard that has a mechanical protrusion on number 5.
3. The intercoms use electromagnetic loop as a hearing aid.

⚠ Caution**Warning**

In order to ensure the full functionality and guaranteed performance, we strongly recommend that the topicality of the product / device version in use be verified as early as in the installation process. The customer hereby acknowledges that the product / device can achieve the guaranteed performance and full functionality pursuant to the manufacturer's instructions only if the latest product / device version is used after having been tested for full interoperability and not having been determined by the manufacturer as incompatible with certain versions of other products, and only in conformity with the manufacturer's instructions, guidelines or recommendations and in conjunction with suitable products and devices of other suppliers. The latest versions are available at https://www.2n.com/cs_CZ/ or can be updated via the configuration interface if the devices are adequately technically equipped. Should the customer use a product / device version other than the latest one or a version determined by the manufacturer as incompatible with certain versions of other products, or should the customer use the product / device in contradiction to the manufacturer's instructions, guidelines or recommendations or in conjunction with unsuitable products / devices of other suppliers, the customer is aware of and agrees with all functionality limitations of such a product / device if any as well as with all consequences incurred as a result thereof. Using a product / device version other than the latest one or a version determined by the manufacturer as incompatible with certain versions of other products, or using the product / device in contradiction to the manufacturer's instructions, guidelines or recommendations or in conjunction with unsuitable products / devices of other suppliers, the customer agrees that the 2N TELEKOMUNIKACE a.s. company shall not be held liable for any functionality limitation of such a product or any damage, loss or injury related to this potential functionality limitation.

5.3 Other Countries' Legislation

<p>Thailand</p>	<div style="border: 1px solid black; padding: 10px;"> <p style="text-align: center;">เครื่องโทรคมนาคมและอุปกรณ์นี้มีความสอดคล้องตามมาตรฐานหรือข้อกำหนดทางเทคนิคของ กสทช.</p> <hr/> <div style="text-align: center;">  <p>nans.</p> </div> <p>เครื่องวิทยุคมนาคมนี้ ได้รับยกเว้น ไม่ต้องได้รับใบอนุญาตให้มี ใช้ซึ่งเครื่องวิทยุคมนาคมหรือตั้งสถานีวิทยุคมนาคมตามประกาศ กสทช. เรื่อง เครื่องวิทยุคมนาคม และสถานีวิทยุคมนาคมที่ได้รับยกเว้นไม่ต้องได้รับใบอนุญาตวิทยุคมนาคมตามพระราชบัญญัติวิทยุคมนาคม พ.ศ. 2498</p> <div style="display: flex; justify-content: space-between; align-items: center;">  <div style="text-align: right;"> <p>nans. โทรคมนาคม</p> <p>กำกับดูแลเพื่อประชาชน</p> <p>Call Center 1200 (InswS)</p> </div> </div> </div>
------------------------	---

5.4 General Instructions and Cautions

Please read this User Manual carefully before using the product. Follow all instructions and recommendations included herein.

Any use of the product that is in contradiction with the instructions provided herein may result in malfunction, damage or destruction of the product.

The manufacturer shall not be liable and responsible for any damage incurred as a result of a use of the product other than that included herein, namely undue application and disobedience of the recommendations and warnings in contradiction herewith.

Any use or connection of the product other than those included herein shall be considered undue and the manufacturer shall not be liable for any consequences arisen as a result of such misconduct.

Moreover, the manufacturer shall not be liable for any damage or destruction of the product incurred as a result of misplacement, incompetent installation and/or undue operation and use of the product in contradiction herewith.

The manufacturer assumes no responsibility for any malfunction, damage or destruction of the product caused by incompetent replacement of parts or due to the use of reproduction parts or components.

The manufacturer shall not be liable and responsible for any loss or damage incurred as a result of a natural disaster or any other unfavourable natural condition.

The manufacturer shall not be held liable for any damage of the product arising during the shipping thereof.

The manufacturer shall not make any warrant with regard to data loss or damage.

The manufacturer shall not be liable and responsible for any direct or indirect damage incurred as a result of a use of the product in contradiction herewith or a failure of the product due to a use in contradiction herewith.

All applicable legal regulations concerning the product installation and use as well as provisions of technical standards on electric installations have to be obeyed. The manufacturer shall not be liable and responsible for damage or destruction of the product or damage incurred by the consumer in case the product is used and handled contrary to the said regulations and provisions.

The consumer shall, at its own expense, obtain software protection of the product. The manufacturer shall not be held liable and responsible for any damage incurred as a result of the use of deficient or substandard security software.

The consumer shall, without delay, change the access password for the product after installation. The manufacturer shall not be held liable or responsible for any damage incurred by the consumer in connection with the use of the original password.

The manufacturer also assumes no responsibility for additional costs incurred by the consumer as a result of making calls using a line with an increased tariff.

Electric Waste and Used Battery Pack Handling



Do not place used electric devices and battery packs into municipal waste containers. An undue disposal thereof might impair the environment!

Deliver your expired electric appliances and battery packs removed from them to dedicated dumpsites or containers or give them back to the dealer or manufacturer for environmental-friendly disposal. The dealer or manufacturer shall take the product back free of charge and without requiring another purchase. Make sure that the devices to be disposed of are complete.

Do not throw battery packs into fire. Battery packs may not be taken into parts or short-circuited either.

